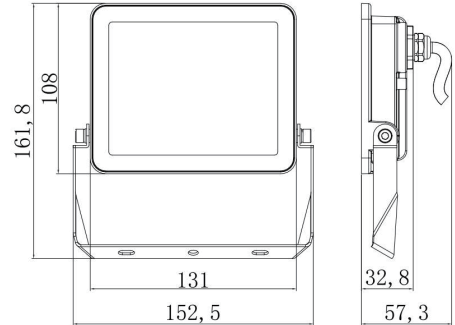


Product Information



Technical Specifications:

Model	Voltage	Power	Displacement factor	Lumen	Beam angle	CCT	Lifespan	Cable	Dimmable	Dimension(mm)
S10929	AC220-240V	20W	≥ 0.7	2400lm	110°	6500K	30,000hrs	100cm	No	152.5X161.8X57.3

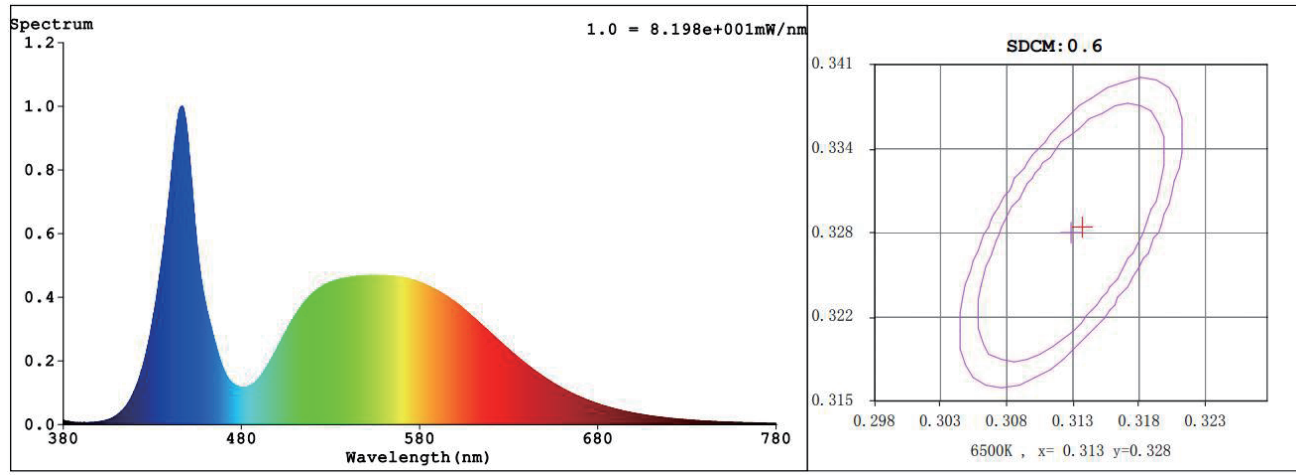
Driver Data Sheet

Driver date	Specification
Input rated Voltage	AC220-240V
Frequency	50/60HZ
Input Voltage	AC220-240V
Efficiency	80%
Total Load wattage	20W
Displacement Factor	≥ 0.7
Rated input current	0.090
Full load output current	0.08
Rated output current	0.064
Output current range	$\pm 10\%$
Power tolerance	$\pm 10\%$
Current output tolerance	$\pm 10\%$
Withstand voltage	1500V
Short circuit protection	PASS
Overload protection	PASS
No-load protection	PASS

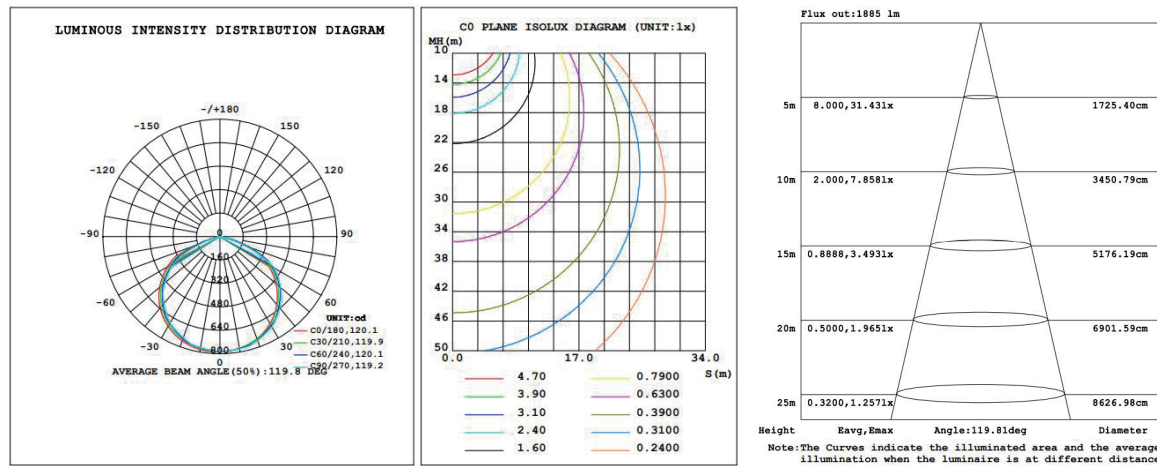
Fixture Compatibility

Rated Wattage	Electrical Classification	Ingress Protection	Operating Temp	Operating Humidity	Storage
20W	I	IP65	-20°C - +40°C	10-95%	-25°C - +65°C \leq 95%RH(25 best)

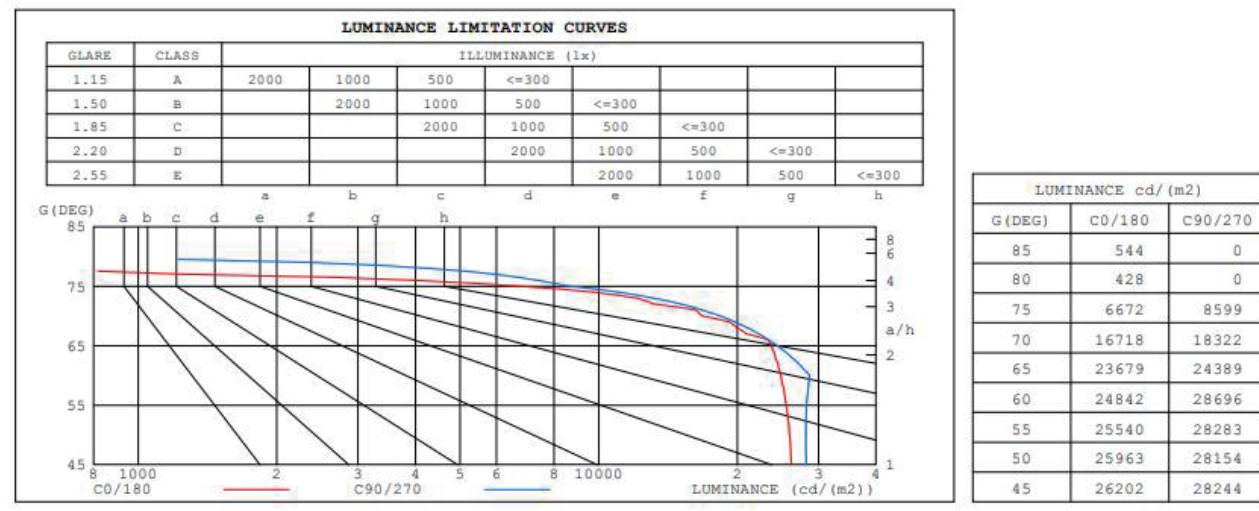
Spectral Distribution



Photometric Diagram

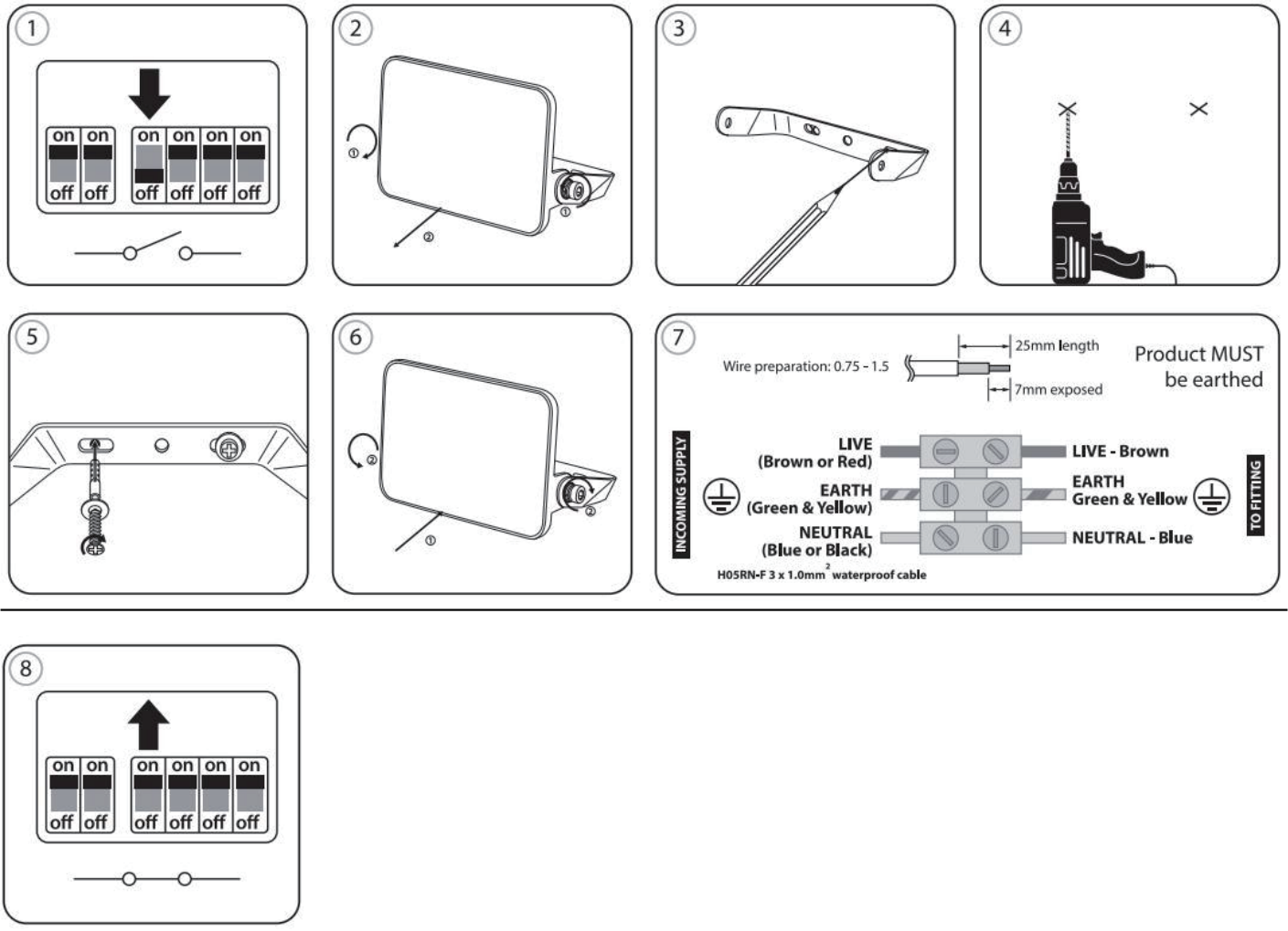


Luminance Limitation Curves



Energizer®

Installation



Packaging Information

	Size(CM)	N.W/Pcs (KGS)	G.W/Pcs (KGS)	Qty(PCS)
Carton	33X21X30.5	0.25	4.7	12

	CTNS	QTY(PCS)	VOLUME(CBM)
20" Standard container	1324	15896	28
40" Standard container	2744	32928	58

Packaging Information

EN IEC 60598-1:2021/A11:2022 EN 60598-2-5:2015 EN62493:2015/A1:2022

IEC60598-2-5:2015 used in conjunction with IEC60598-1:2020

EN IEC55015:2019/A11:2020 EN61547:2009 EN IEC 61000-3-2:2019/A1:2021 EN61000-3-3:2013/A2:2021

EN IEC 55015, EN61547, EN IEC 61000-3-2 and EN 61000-3-3