



Tri-Proof IP65 Diffused Twin Fluorescent Fitting



INSTRUCTIONS

Please read carefully before installation and retain instructions for future reference.

If you are in any doubt about installing this product, consult a qualified electrician. Fittings must be installed by a competent person in accordance with current IEE Wiring Regulations (BS7671). This product should not be modified. Any modification will invalidate the warranty and may render the product unsafe.

FUSE VALUE

This fitting can be connected to a lighting circuit protected by a 5A fuse or 6A residual current device; alternatively it can be connected to a ring main by means of a fused connection fitted with a BS 1362 3A fuse. This product is only suitable for connection to 220 / 240V, 50 Hz supply and in accordance with Local Wiring and Building regulations.

BEFORE COMMENCING INSTALLATION ENSURE THE POWER SUPPLY IS SWITCHED OFF AT THE FUSE BOX AND FUSE IS REMOVED TO PREVENT ACCIDENTAL SWITCHING (TURNING THE LIGHT SWITCH OFF IS NOT SUFFICIENT).

Warning:

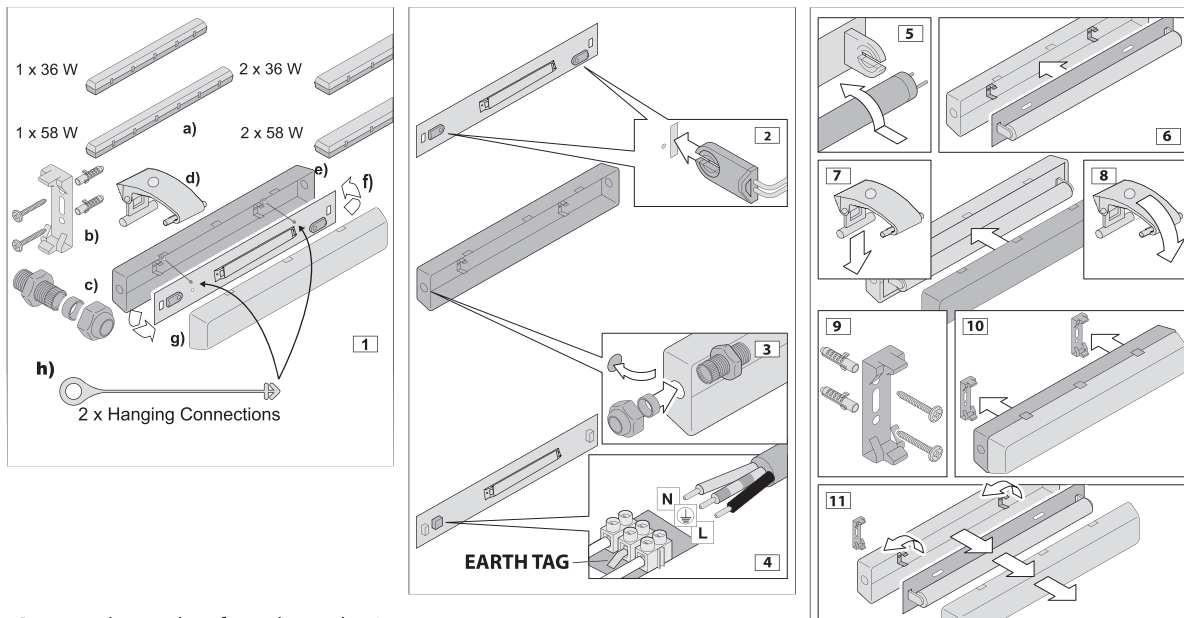
If a loop wiring system is used within your home, there may be several cables coming out of the ceiling. Before disconnecting your existing light fitting make a note of which cables it is connected to and connect your new fitting to these same wires.

THIS LAMP IS SUITABLE FOR INDOOR OR OUTDOOR USE (IP65).



THIS FITTING IS F MARKED WHICH ALLOWS THE LUMINAIRE TO BE MOUNTED ON NORMALLY FLAMMABLE SURFACES.

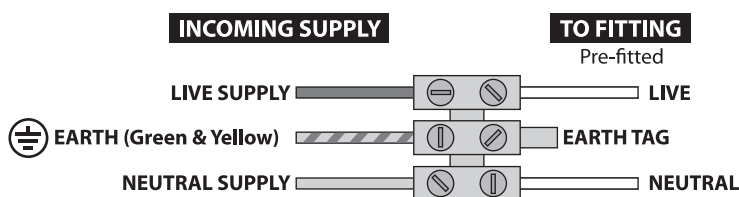
INSTALLATION & WIRING



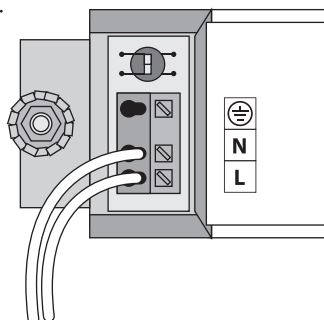
- Remove the product from the packaging.
- Remove the base from inside the diffuser and then remove the metal cover plate from the base, by squeezing the retaining grips together and easing away from the base.

- Remove the component parts from inside the base and check the contents (Figure 1).
- The lampholders are located on the reverse side of backplate. Take the lampholders and insert through the holes in the cover plate. Once inserted correctly you should hear the lampholder(s) 'click' into place (Figure 2).
- Insert the cable gland into the end of the backplate to ensure that the IP rating is maintained (Figure 3).
- Offer the securing bracket(s) (or back panel) to the mounting surface and mark the position for the fixing holes. Where possible the unit should be mounted onto a ceiling joist or other secure fixing. Drill the fixing holes taking care not to foul any potential pipes or mains cables beneath the surface.
- Bring the mains cable into the unit through the cable gland.
- Attach the fitting to the mounting surface using suitable plugs and screws. Ensure that the mains cable is not trapped or strained against any sharp/exposed edges.
- The hanging connectors (pre-fitted) can now be utilised to support the hanging mid-plate to the fixed back-plate whilst the process of wiring the fitting is undertaken.
- Connect the incoming mains cable to the terminal block on the fitting (Figure 4), following the general wiring code shown below;

Connect the incoming 'LIVE' (BROWN or RED) to the terminal marked 'L'
 Connect the incoming 'NEUTRAL' (BLUE or BLACK) to the terminal marked 'N'
 Connect the incoming 'EARTH' (EXPOSED/GREEN & YELLOW) to the terminal marked with the Earth Symbol



- **Important:** This product MUST be earthed. Ensure that ALL incoming Earth leads are connected to the Earth in the terminal block. If no earth feed wire is available, consult an electrician.
- **Note** – There is no outgoing earth cable (to the ballast) on this fitting. The earth is maintained by an earth tag in the terminal block and serrated earthing screw located by the electronic ballast. (See diagram – right).
- Replace the cover plate to the back plate by pushing over the retaining grips which should 'click' into place once secured. Take care that none of the wires are trapped or strained (Figure 6).
- Insert the tubes (not supplied) by sliding the pins into lampholders at each end before gently rotating/turning through 90 degrees (Figure 5).
- Insert the small arms of the securing clips along the perimeter of the base as per the diagram above (Figure 7).
- Replace the diffuser and lock in place by flipping over the long arm of securing clips and clicking into the recesses around the perimeter of the diffuser (Figure 8). Ensure each clip is secure to maintain the IP rating of the unit.
- Installation is now complete. Restore mains power and switch on to test.



Should either of the fluorescent tubes fail to light when switched on, switch off at the mains and check all connections. If in doubt, consult a qualified electrician.

REPLACING THE TUBE

- Switch off product (preferably, isolate at distribution board) and allow to cool.
- Remove the diffuser (as detailed above) and remove the old tube(s).
 - > 4ft (120cm) = 2 x 36w T8 Fluorescent Tube
 - > 5ft (150cm) = 2 x 58w T8 Fluorescent Tube
- Return the diffuser to the unit, restore mains supply and switch on to test.

CORE COLOUR	OLD	NEW
LIVE	Red	Brown
SWITCHED LIVE	Red, or Black with red sleeve	Brown, or Blue with brown sleeve
NEUTRAL	Black	Blue
EARTH	Bare, with green/yellow sleeve	Bare, with green/yellow sleeve (no change)
2-WAY SWITCHED LIVE	Red, blue and yellow	Brown, black and grey



If you have a product or a component within the product, which has this logo, it should not be disposed of within your household waste. Please recycle where the facility exists. Check with your Local Authority or Retailer for recycling advice.