

Installation must be installed by a qualified electrician (BS7671). Read before installation and retain for future reference.

Indoor or Outdoor use.

Always check for concealed pipes and cables before installation.

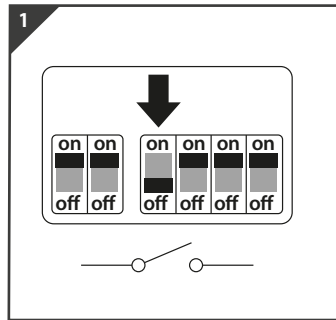
Wood or brick mounting surface.

1.8 - 2.5m Ground Clearance

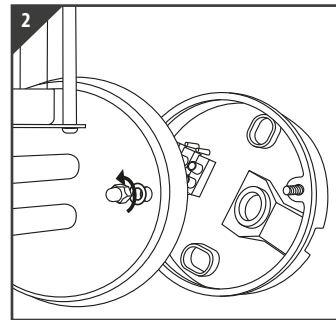
240V-50Hz Incoming supply

Light Source: Not Included

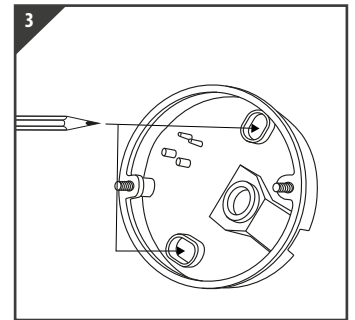
- 1 x 60 Watt Candle E27
- 1 x 42 Watt Halogen Candle E27
- 1 x LED Candle E27



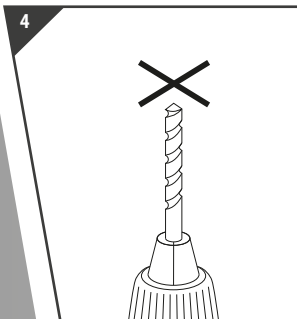
1 Switch OFF at mains supply before installing



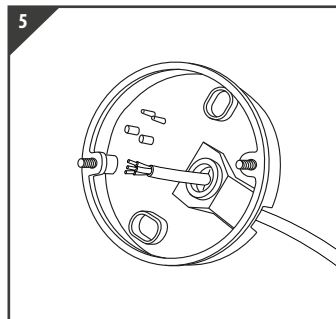
2 Remove 2 nuts from the fitting. Separate the mounting bracket from the fitting.



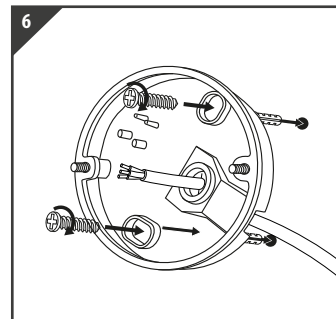
3 Ensure product is located in the correct location and mark the surface. Terminal block can be removed for bracket if needed



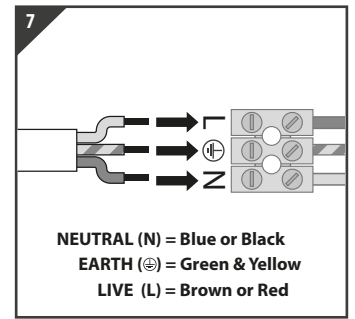
4 Use correct drill bit to the right depth



5 Thread the supply cable into the mount bracket before securing

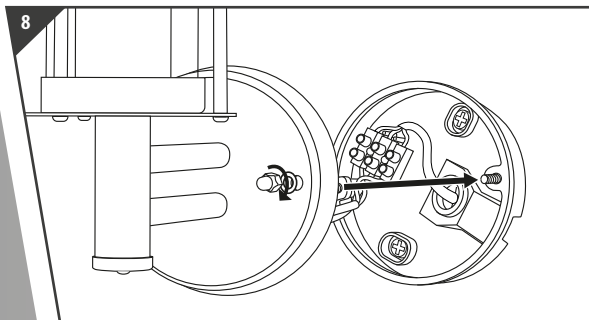


6 Secure the mount bracket to the surface

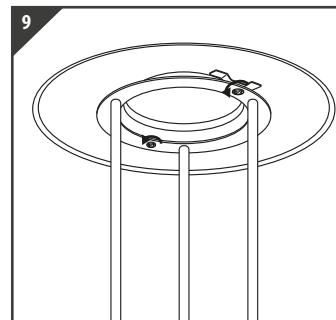


NEUTRAL (N) = Blue or Black
EARTH (E) = Green & Yellow
LIVE (L) = Brown or Red

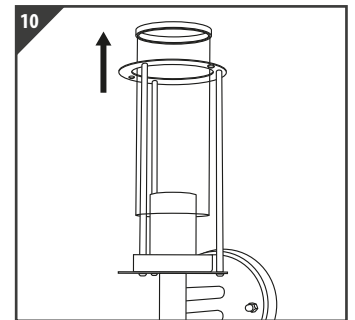
7 Insert correct supply (H05RN-F 1.0mm² core cable) into terminal block, tighten all screws in block. Product MUST be earthed.



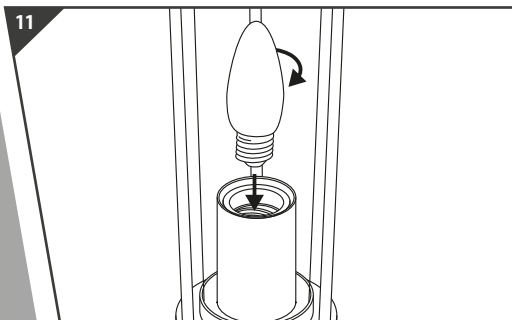
8 Place terminal block onto the securing pegs as the fitting is placed onto the mount bracket. Secure fitting to bracket, do not over tighten the nuts.



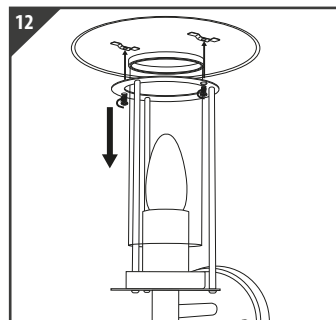
9 Remove 2 screws to remove the top of the fitting



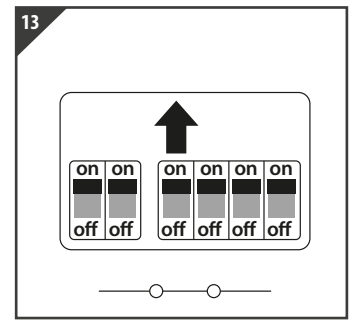
10 Remove the glass cylindrical with care



11 Insert correct wattage of Candle lamp into the fitting



12 Return glass cylindrical and top to the fitting. Screw with the two screws, do not over tighten.



13 Return power. Switch ON at mains supply



DO NOT MODIFY – this will invalidate the warranty and could be dangerous.

Waste electrical products should not be disposed of with household waste. Please recycle where facilities exist. Check with your Local Authority or retailer for recycling advice.

When installing and regularly thereafter ensure the fitting is maintained by cleaning with a damp cloth and applying a small amount of oil to protect the product from staining and discolouration.