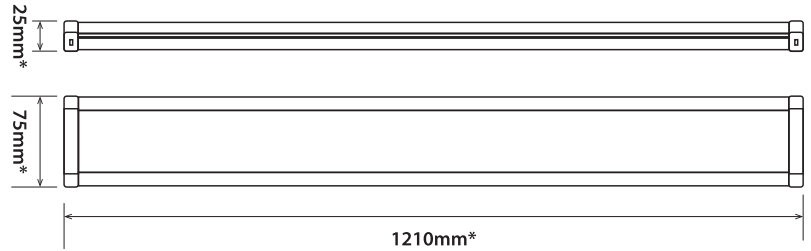


Product Information



Technical Specifications

Model	Voltage	Power	Power Factor	Lumen (±5%)	Beam angle	CCT	Lifespan	CRI	Dimmable	Dimension
S15076	AC185-265V	36W	>0.9	3240	120°	4000K	25000h	>80	No	1210*75*25mm

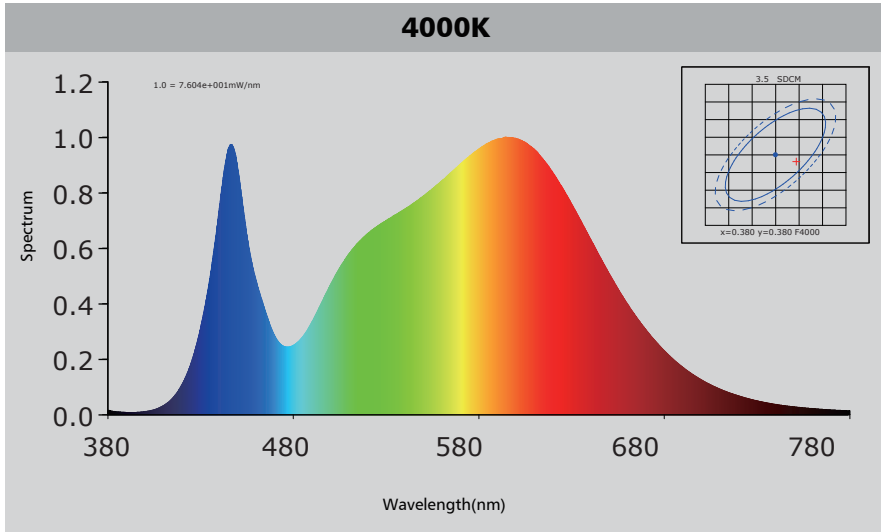
Driver data Sheet

	DIM
Input rated Voltage	AC220-240V
Frequency	50/60Hz
Input Voltage	AC185-265V
Efficiency	85%
Total load Wattage	36±2W
Power Factor	>0.9
Rated input current	≤0.17
Full load output Voltage	72-84
Rated output current	220mA
Output current range	220mA±5%
Power tolerance	±5%
Current output tolerance	±5%
Withstand voltage	1500V
Short circuit protection	PASS
Overload protection	PASS
No-load protection	PASS

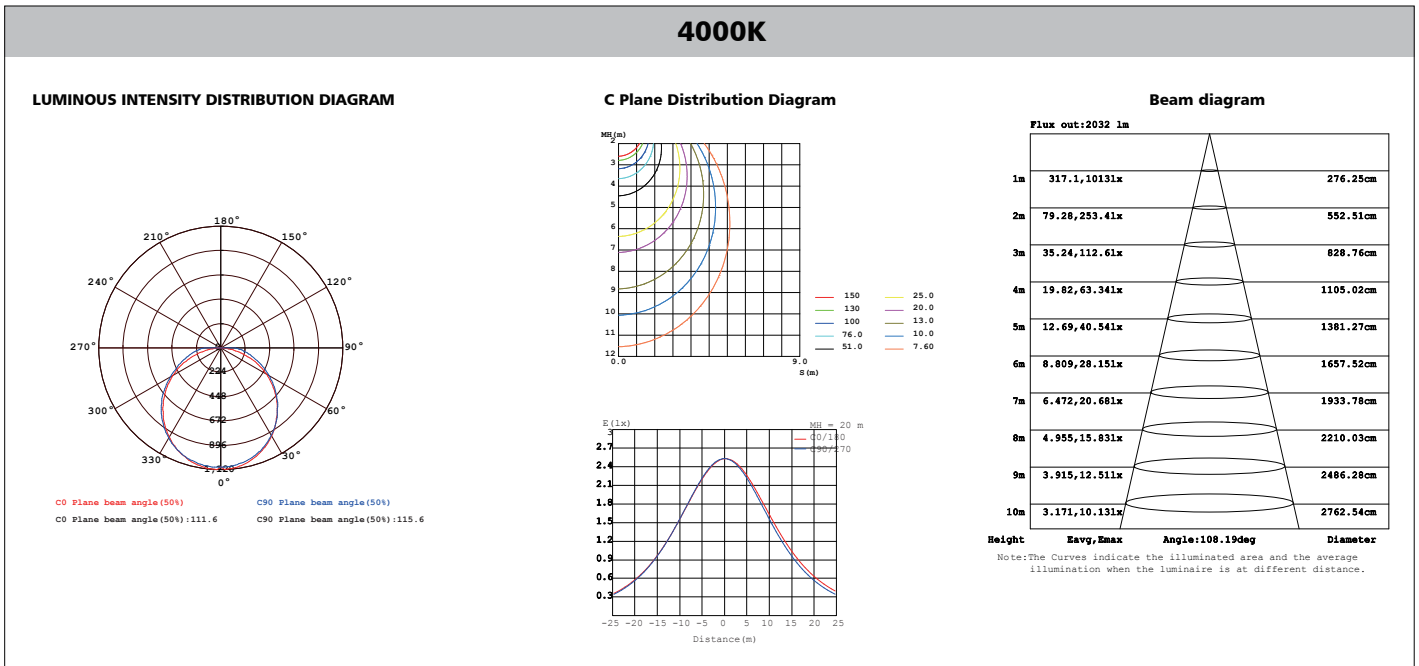
Fixture Compatibility

Rated Wattage	Electrical Classification	Ingress Protection	Operating Temp	Operating Humidity	Storage Temp
36W	I	IP20	-20°C-45°C	0-90%	-20°C-65°C

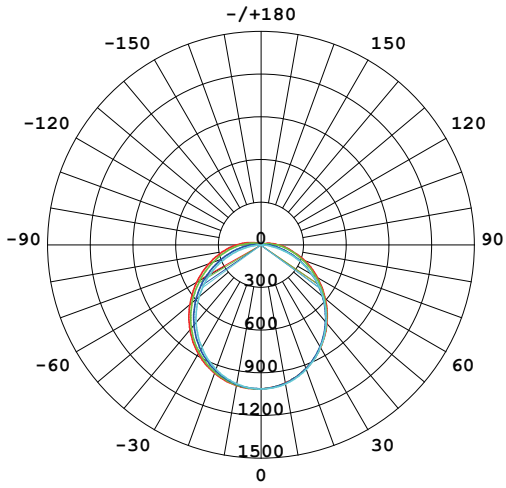
Spectral Distribution



Photometric Diagram

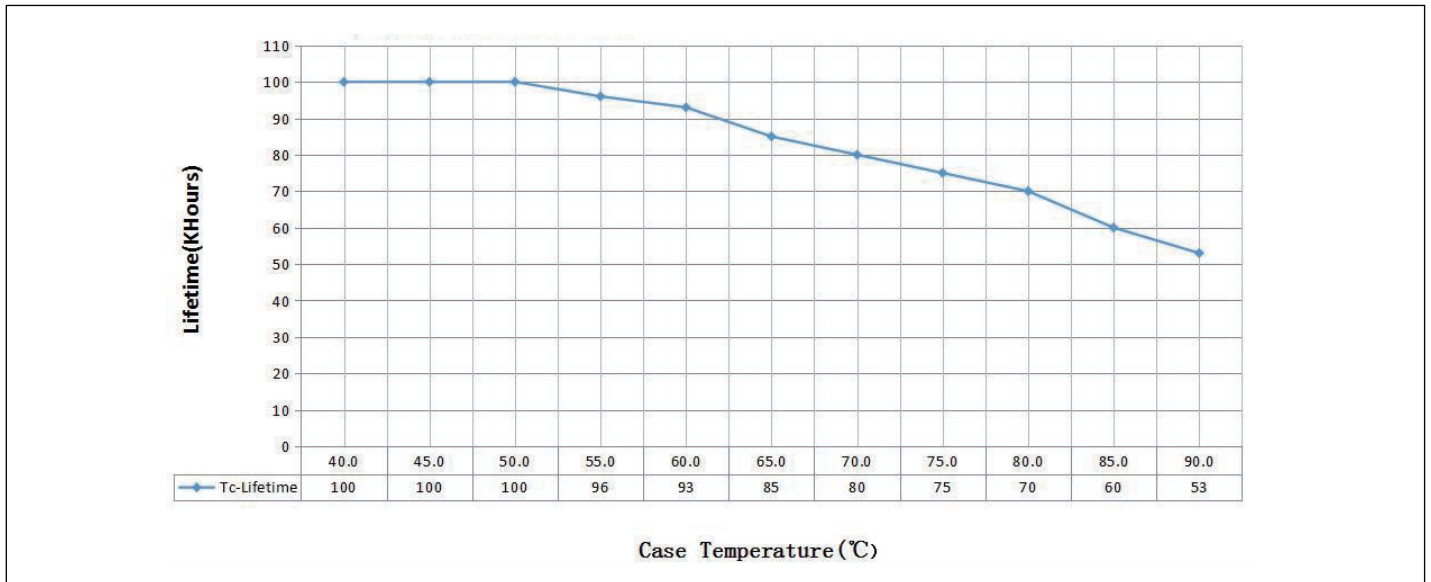


Polar Diagram Comparison

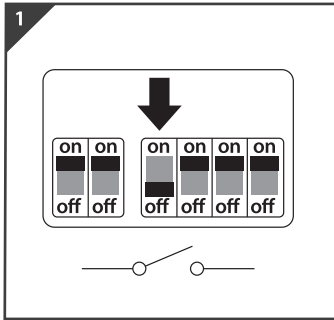


AVERAGE BEAM ANGLE (50%) : 112.5 DCE

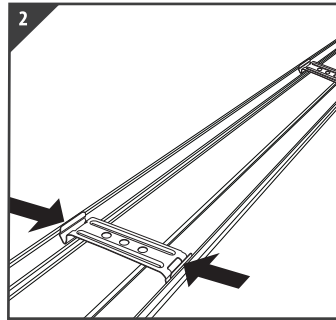
Average Lumen Maintenance and Chromaticity Shift VS. Time



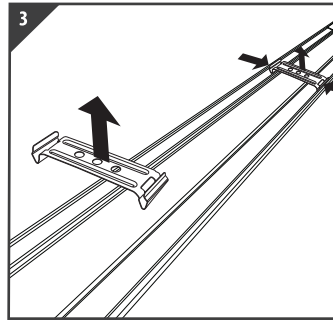
Installation



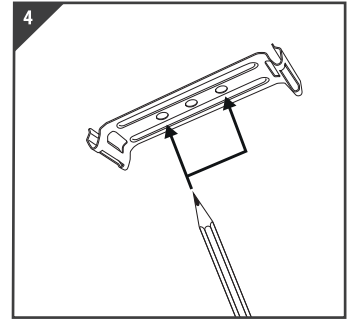
Switch OFF at mains supply before installing



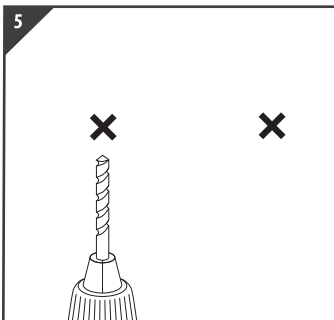
Compress the clip to remove from the fitting



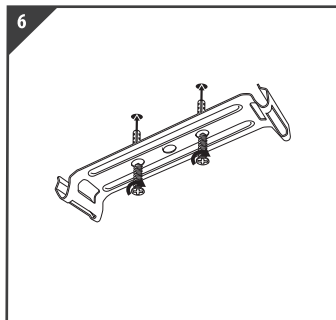
Remove all clips



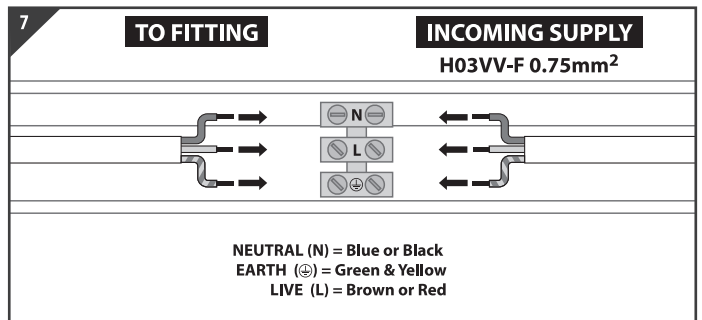
Mark the positioning for all the clips. Ensure alignment is perfectly straight.



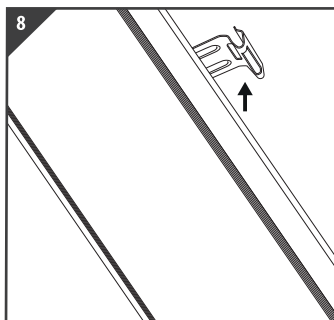
Use the correct sized drill bit and type for the mounting surface



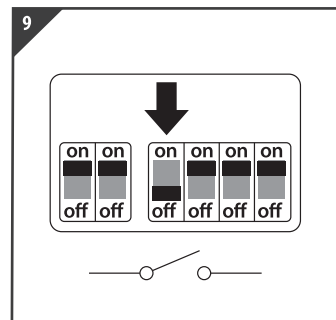
Secure brackets with the wall plugs and screws provided



Insert correct supply (240 V/50Hz H03VV-F 0.75mm² core cable) and wiring from the fitting into terminal block (not provided), tighten all screws in block.



Push fitting onto the clips, these will click



Return power. Switch ON at mains supply

Packaging Information

	SIZE(CM)	N.W/pc (KGS)	G.W.(KGS)	Q'TY(PCS)
Carton	123.5*32.5*18	0.52	11.5	20

	CTNS	Q'TY(PCS)	VOLUME(CBM)
20" standard container	387	7740	27.96
40" standard container	941	18820	67.98

