

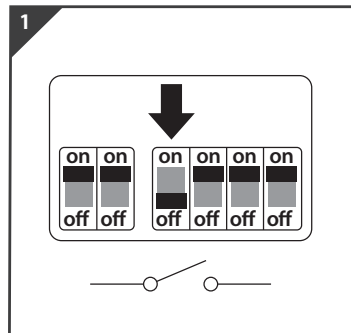
Installation must be installed by a qualified electrician (BS7671).
Read before installation and retain for future reference.

Ideal for Indoor use.

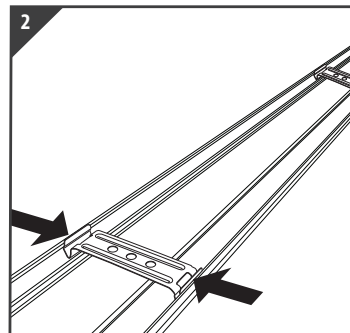
Always check for concealed pipes and cables before installation.

Wood or brick mounting surface.

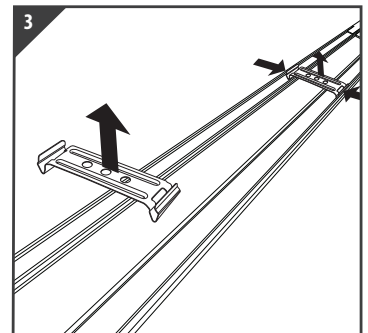
240V-50Hz Incoming supply



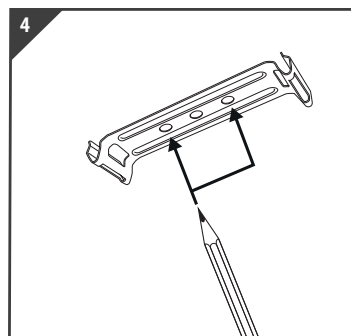
1 Switch OFF at mains supply before installing



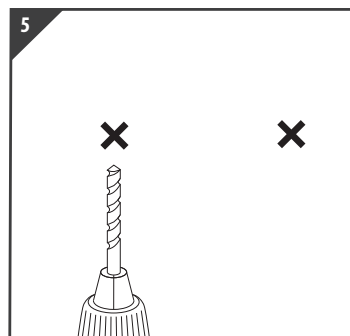
2 Compress the clip to remove from the fitting



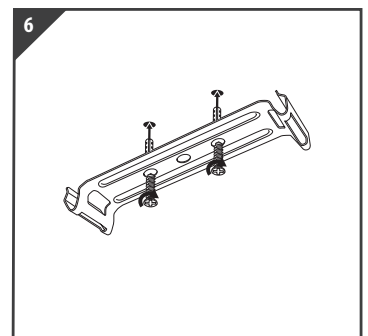
3 Remove all clips



4 Mark the positioning for all the clips. Ensure alignment is perfectly straight.



5 Use the correct sized drill bit and type for the mounting surface



6 Secure brackets with the wall plugs and screws provided

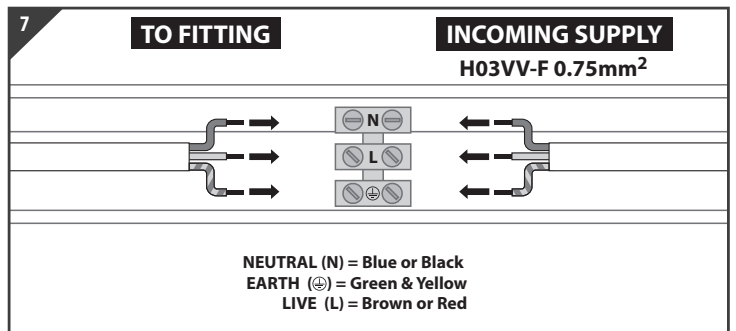


INTERNAL LOCATION

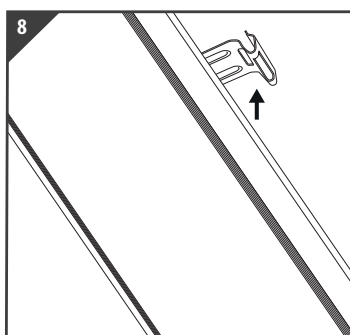
This product is suitable for Zone 3 only.
(Not Zone 0, 1, or 2).

Zone 1: the area around the bathtub or shower basin up to a height of 2.25m above the floor and at a radius of 1.2m from the water outlet.

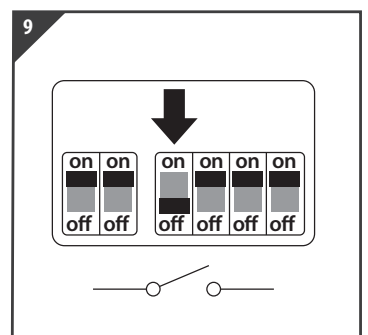
Zone 2: is limited by the vertical planes external to zone 1 and parallel vertical plane(s) 0.60m external to zone 1.



Insert correct supply (240 V/50Hz H03VV-F 0.75mm² core cable) and wiring from the fitting into terminal block (not provided), tighten all screws in block.



8 Push fitting onto the clips, these will click when secure.



9 Return power. Switch ON at mains supply

DO NOT MODIFY – this will invalidate the warranty and could be dangerous.

Waste electrical products should not be disposed of with household waste. Please recycle where facilities exist.
Check with your Local Authority or retailer for recycling advice.

