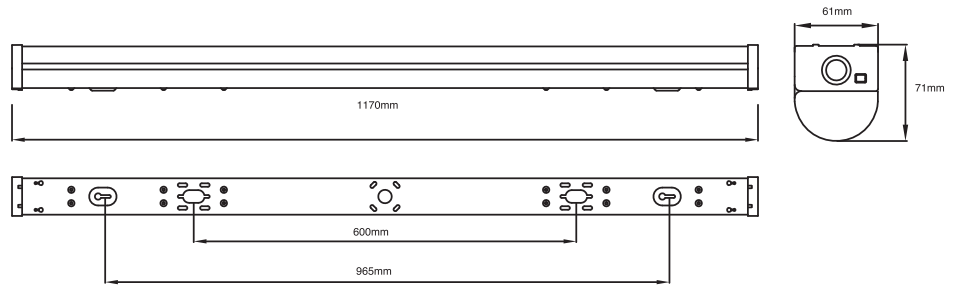


Product Information



Technical Specifications

Model	Voltage	Power	Power Factor	Lumen (±5%)	Beam angle	CCT	Lifespan	CRI	Dimmable	Dimension
S15401	AC 220-240V	40W	>0.9	5200	120°	4000K	50000h	>80	No	1170*61*71mm, fixing distance 965mm

Driver data Sheet

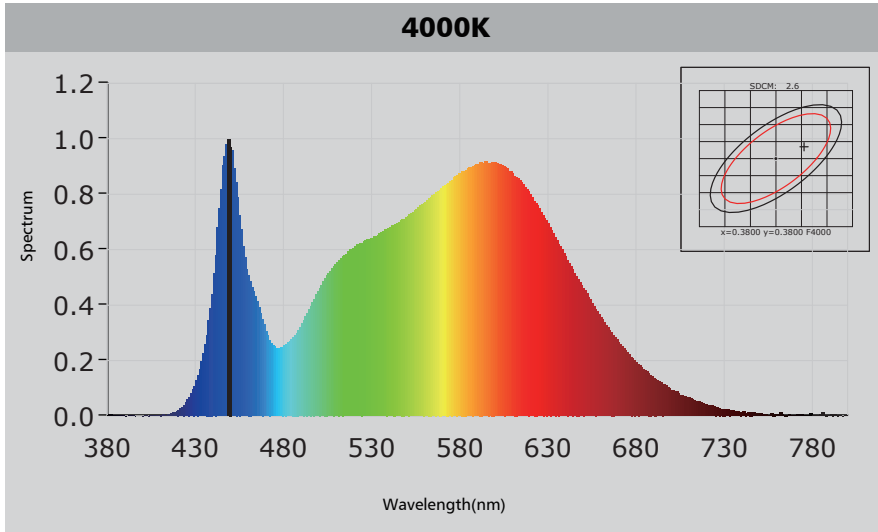
Driver data	DIM
Input rated Voltage	AC220-240V
Frequency	50/60Hz
Input Voltage	AC180-264V
Efficiency	≥89%
Total load Wattage	40W
Power Factor	≥0.95
Rated input current	<0.3A
Full load output Voltage	28-40V
Rated output current	1000mA
Output current range	1000±5%
Power tolerance	±5%
Current output tolerance	±5%
Withstand voltage	2000V
Short circuit protection	PASS
Overload protection	PASS
No-load protection	PASS

Fixture Compatibility

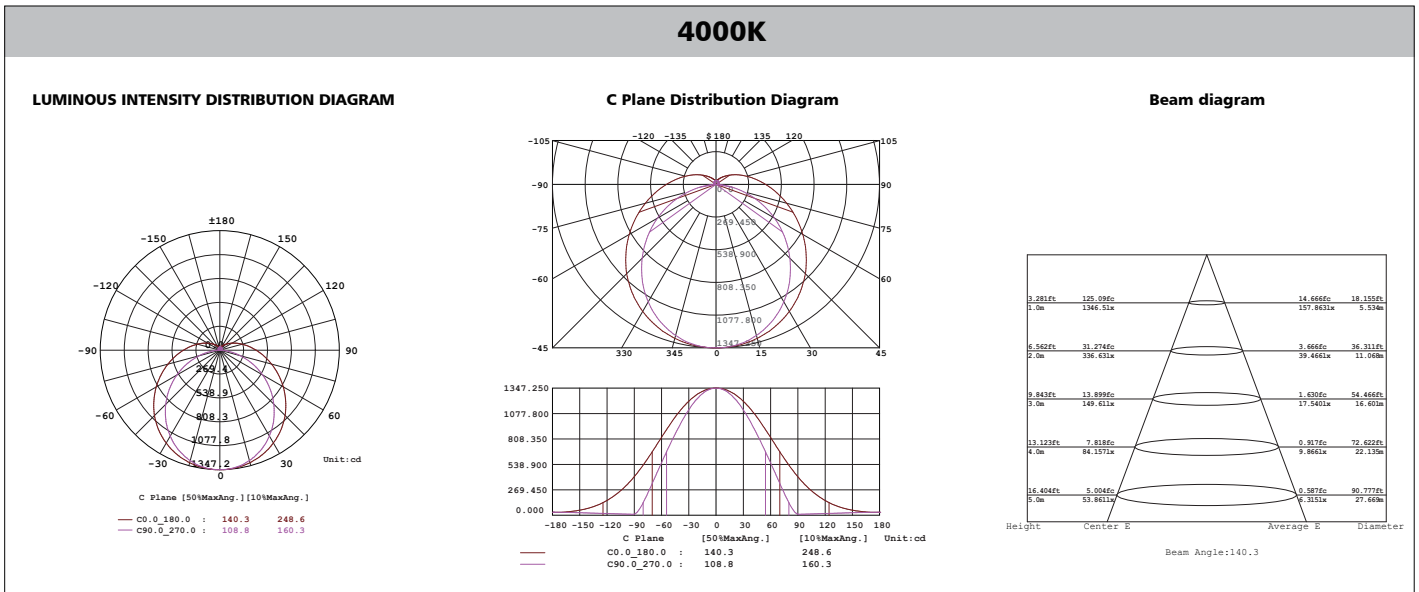
Rated Wattage	Electrical Classification	Ingress Protection	Operating Temp	Operating Humidity	Storage Temp
40W	I	IP20	-20°C-45°C	10-90%	-40°C-80°C

Spectral Distribution

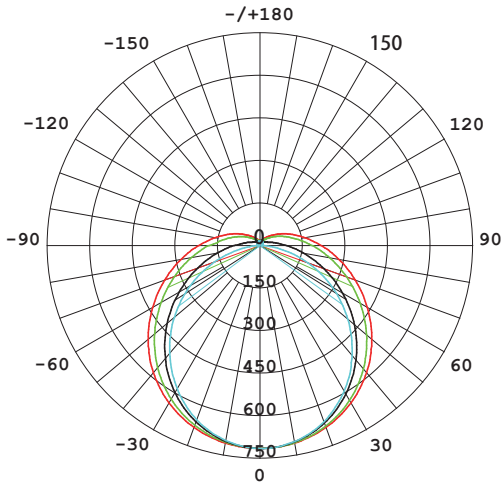
LUMINOUS INTENSITY DISTRIBUTION DIAGRAM



Photometric Diagram

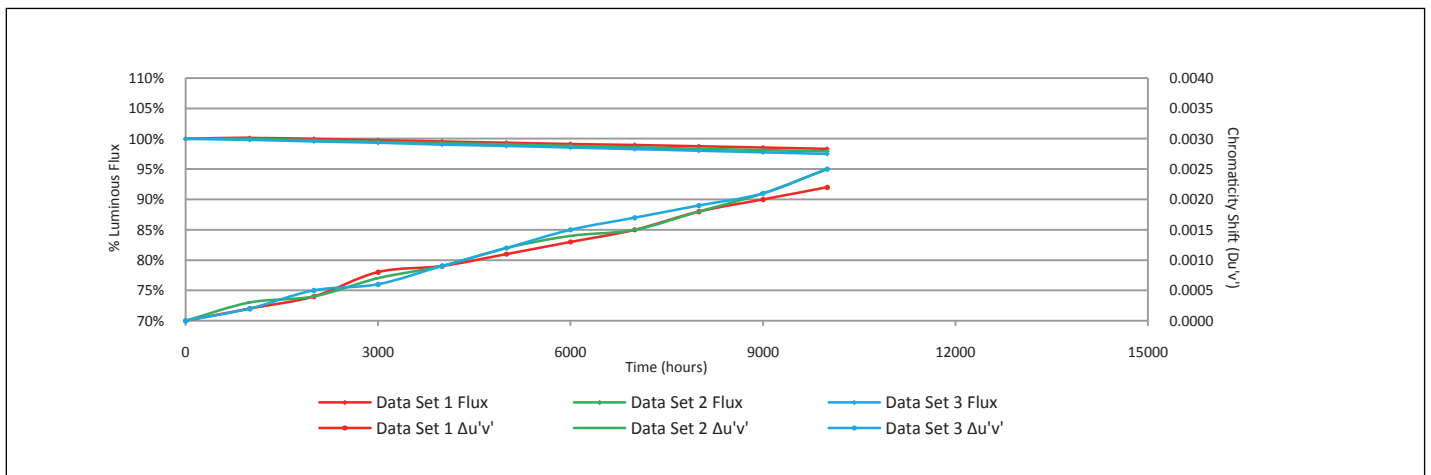


Polar Diagram Comparison

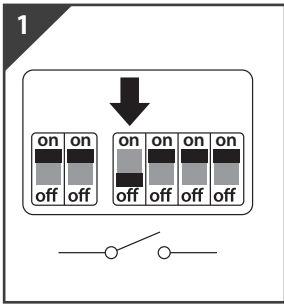


AVERAGE BEAM ANGLE (50%) : 123.6 DEG

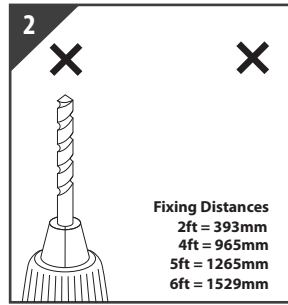
Average Lumen Maintenance and Chromaticity Shift VS. Time



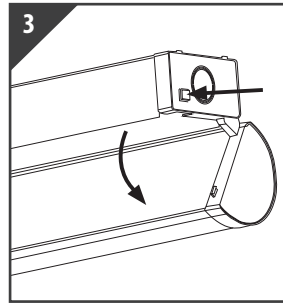
Installation



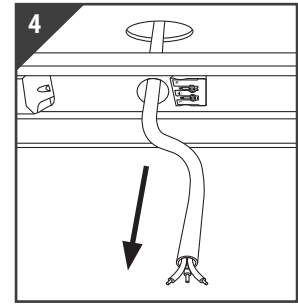
Switch OFF at mains supply before installing



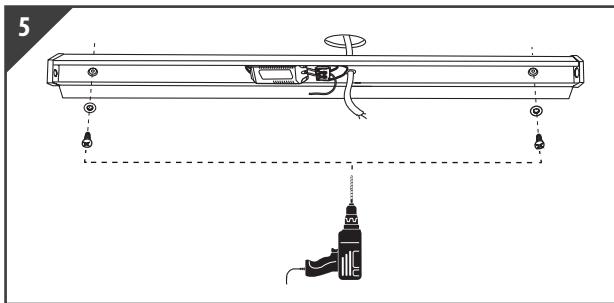
Drill holes to the required distance and install plugs



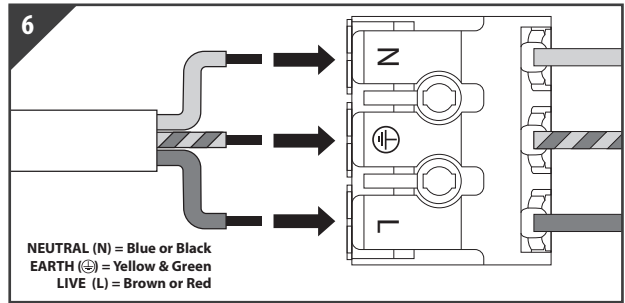
Push button on end-cap and pull open casing



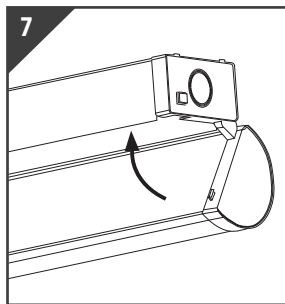
Pull cable from ceiling through hole in batten



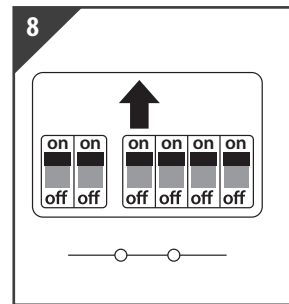
Drill screws into previously installed plugs



Push down the terminal, insert correct supply (as above) into terminal block and release the push fit terminal to secure.



Close casing ensuring it clicks into place



Return power. Switch ON at mains supply

Packaging Information

	SIZE(CM)	N.W/pc (KGS)	G.W.(KGS)	Q'TY(PCS)
Carton	119*36.5*17.5	1.4	15	10

	CTNS	Q'TY(PCS)	VOLUME(CBM)
20" standard container	365	3650	27.74
40" standard container	760	7600	57.75

