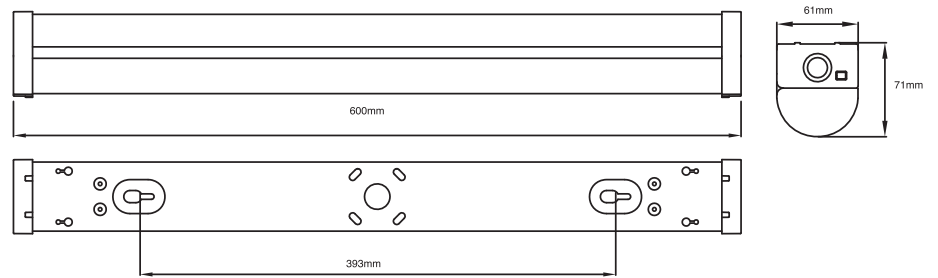


# Product Information



## Technical Specifications

Model	Voltage	Power	Power Factor	Lumen (±5%)	Beam angle	CCT	Lifespan	CRI	Dimmable	Dimension
S18591	AC 220-240V	20W	>0.9	2600	120°	4000K	50000h	>80	No	600*61*71mm, fixing distance 393mm

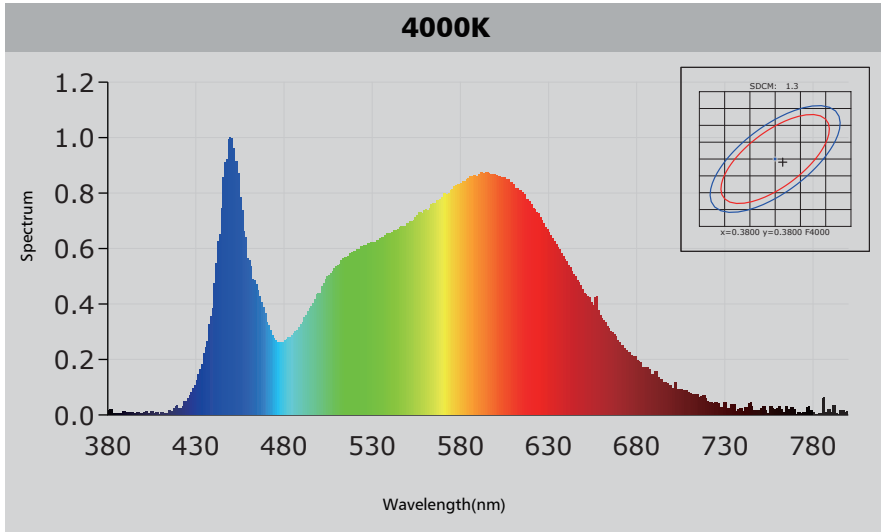
## Driver data Sheet

Driver data	DIM
Input rated Voltage	AC220-240V
Frequency	50/60Hz
Input Voltage	AC180-264V
Efficiency	≥85%
Total load Wattage	21W
Power Factor	≥0.95
Rated input current	<0.2A
Full load output Voltage	28-42V
Rated output current	500mA
Output current range	500±25mA
Power tolerance	±5%
Current output tolerance	±25mA
Withstand voltage	2000V
Short circuit protection	PASS
Overload protection	PASS
No-load protection	PASS

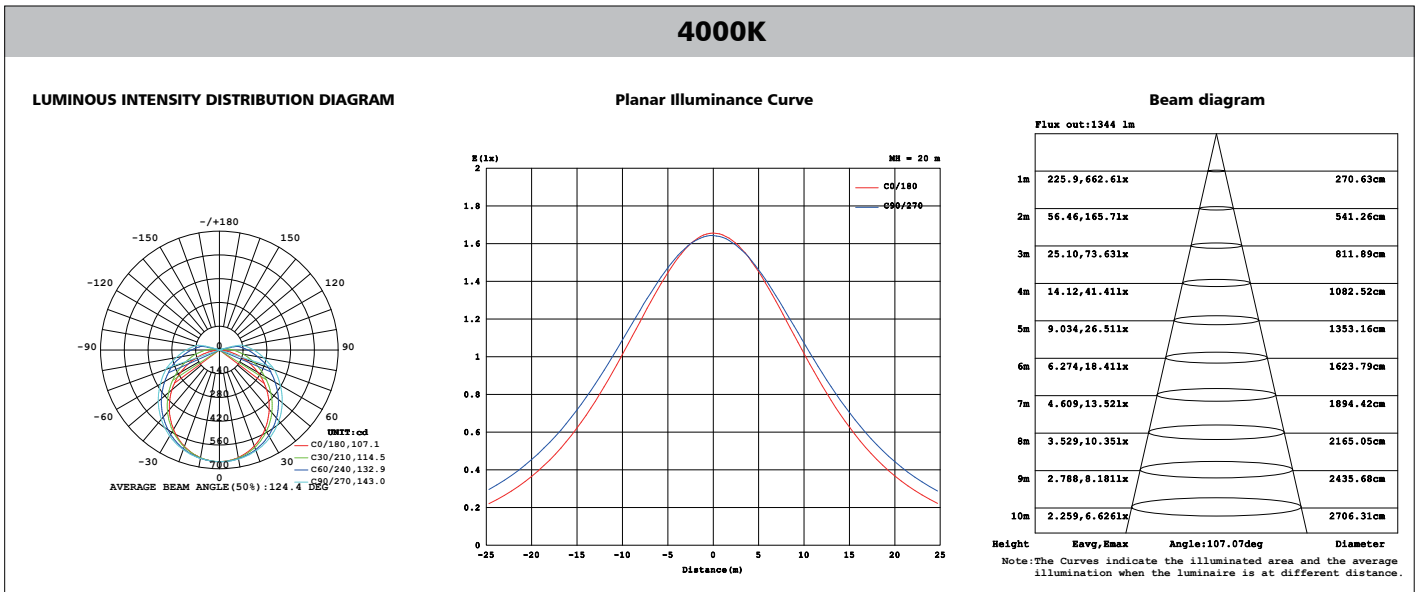
## Fixture Compatibility

Rated Wattage	Electrical Classification	Ingress Protection	Operating Temp	Operating Humidity	Storage Temp
20W	I	IP20	-20°C-45°C	10-90%	-40°C-80°C

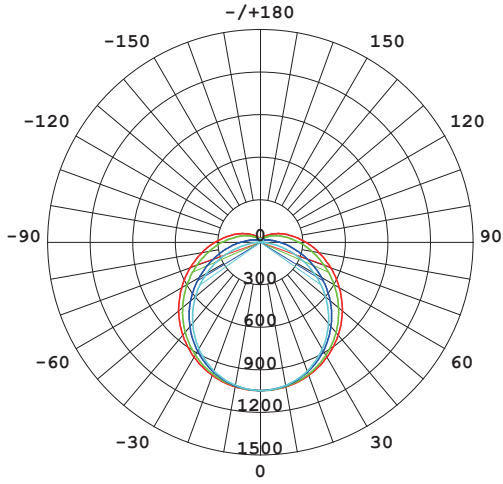
## Spectral Distribution



## Photometric Diagram



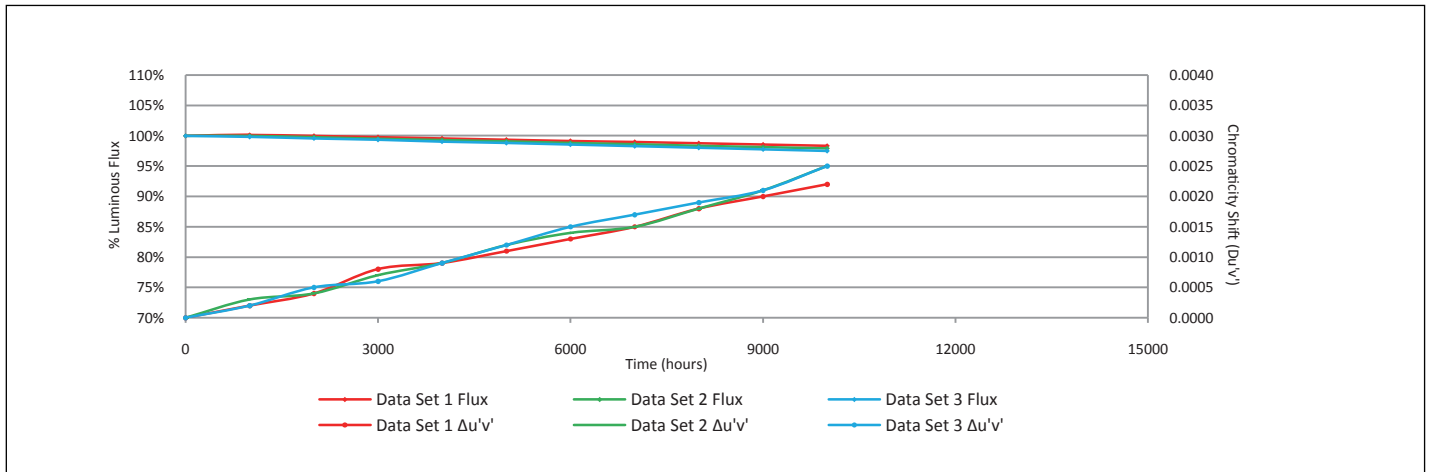
## Polar Diagram Comparison



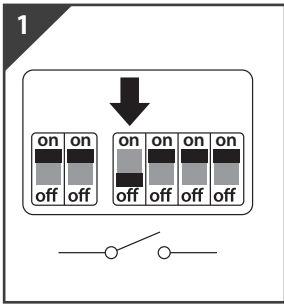
AVERAGE BEAM ANGLE (50%): 125.0 DEG



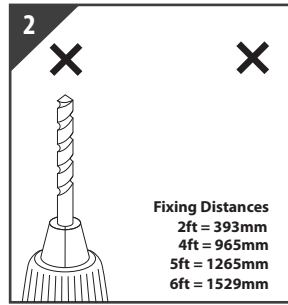
## Average Lumen Maintenance and Chromaticity Shift VS. Time



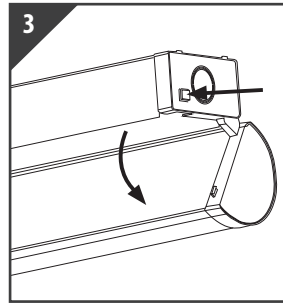
## Installation



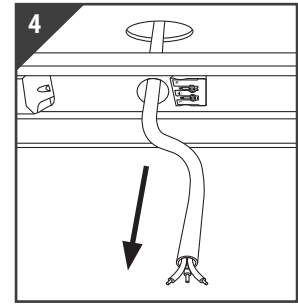
Switch OFF at mains supply before installing



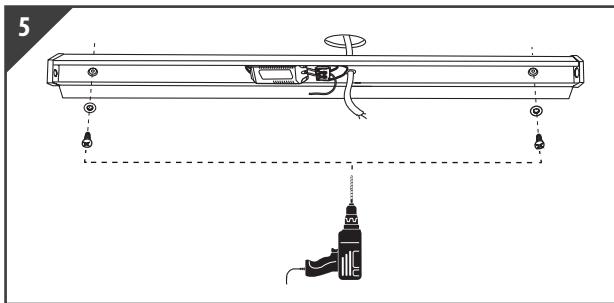
Drill holes to the required distance and install plugs



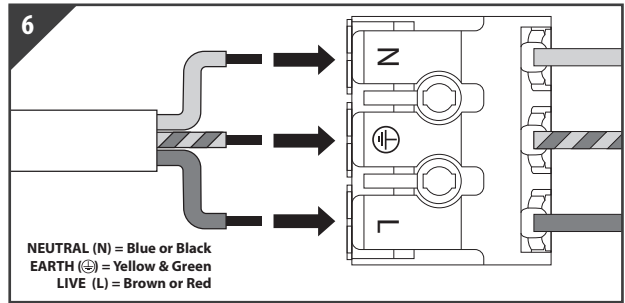
Push button on end-cap and pull open casing



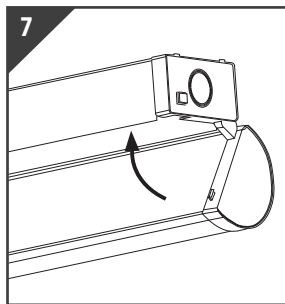
Pull cable from ceiling through hole in batten



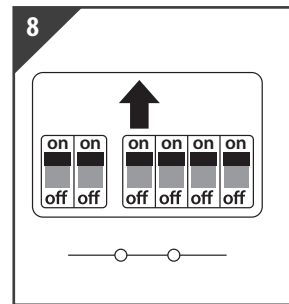
Drill screws into previously installed plugs



Push down the terminal, insert correct supply (as above) into terminal block and release the push fit terminal to secure.



Close casing ensuring it clicks into place



Return power. Switch ON at mains supply

## Packaging Information

	SIZE(CM)	N.W/pc (KGS)	G.W.(KGS)	Q'TY(PCS)
Carton	620*36.5*35	0.8	17	20

	CTNS	Q'TY(PCS)	VOLUME(CBM)
20" standard container	350	7000	27.72
40" standard container	726	14520	57.5

