

170LM/W HIGH BAY

NOTICE:

- Please read these instructions carefully before attempting to install this product. It is advisable to keep these instructions in a safe place for future reference.
- The light source contained in this luminaire shall only be replaced by the manufacturer or his service agent or a similar qualified person.
- The external flexible cable or cord of this luminaire cannot be replaced; if the cord is damaged, the luminaire shall be destroyed.
- IF IN DOUBT, CONSULT A QUALIFIED ELECTRICIAN.

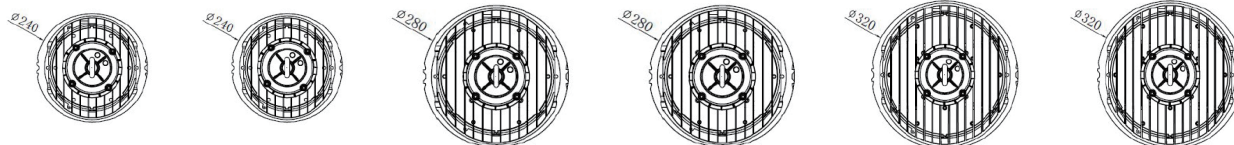
5
year
warranty



TECHNICAL PARAMETER:

Reference	HB-100W-4000K	HB-100W-5700K	HB-150W-4000K	HB-150W-5700K	HB-200W-4000K	HB-200W-5700K
Scode	S18757	S18760	S18758	S18761	S18759	S18762
Wattage	100W	100W	150W	150W	200W	200W
Efficiency	170lm/w	170lm/w	170lm/w	170lm/w	170lm/w	170lm/w
Lumens total	17.000 lumens	17.000 lumens	25.500 lumens	25.500 lumens	34.000 lumens	34.000 lumens
Kelvin	4000K	5700K	4000K	5700K	4000K	5700K
Beam angle	100°	100°	100°	100°	100°	100°
Operating temperature	-30° / +50°	-30° / +50°	-30° / +50°	-30° / +50°	-30° / +50°	-30° / +50°
Driver type	DIM Sosen driver	DIM Sosen driver	DIM Sosen driver	DIM Sosen driver	DIM Sosen driver	DIM Sosen driver
Voltage	AC 100-240V	AC 100-240V	AC 100-240V	AC 100-240V	AC 100-240V	AC 100-240V
Dimmable	NO	NO	NO	NO	NO	NO
Frecuence	50/60Hz	50/60Hz	50/60Hz	50/60Hz	50/60Hz	50/60Hz
Material	aluminium	aluminium	aluminium	aluminium	aluminium	aluminium
Water resistance	IP65	IP65	IP65	IP65	IP65	IP65
Shock resistance	IK07	IK07	IK07	IK07	IK07	IK07
Weight net (without box)	1.95Kg	1.95Kg	2.35Kg	2.35Kg	2.95Kg	2.95Kg
Size box (with box)	291 x 291 x 152	291 x 291 x 152	340 x 340 x 152	340 x 340 x 152	380 x 380 x 152	380 x 380 x 152

Product size (top view)



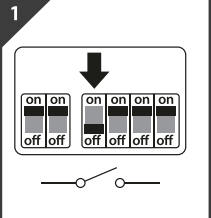
DIMENSIONS

	100W	150W	200W
Normal+60/90° DIM+60/90° Microwave+60/90°			
TOP VIEW			

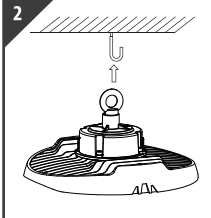
INSTALLATION REQUIREMENTS

- This product is suitable for zones 1 and 2 (not zone 0).
- The luminaire must be installed by a qualified electrician (BS7671).
- Please read the manual carefully before installation.
- Ensure the specification matches the service environment conditions detailed before installing.
- Please confirm input voltage and frequency before using.
- If the external flexible cable of this luminaire is damaged, it HAS to be replaced by the manufacturer, service agent or a similar qualified person in order to avoid a hazard.
- The light source of this luminaire is non replaceable. This product is designed for permanent connection to fixed wiring; the circuit should be protected with the appropriate MCB or fuse.
- The lighting fixture is available both outside and indoor.
- When installed on the ground or on the wall, the fixture can be used as flood light; Or assembly in a group of fixture on a mast more than 5 meters, they can be regarded as high-pole lighting fixture.
- A pothook always be used for hanging it. The tempered glass with impact and high temperature resistance is fitted. The highest temperature the glass can bear is 200°C, and when stress concentration is too high, it will crush into particles.

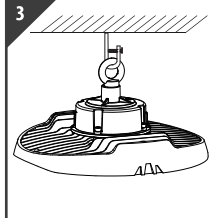
Installation Method 1 - Suspended



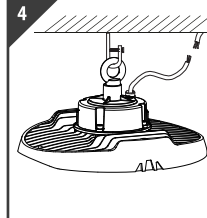
1
Switch OFF at mains supply before installing



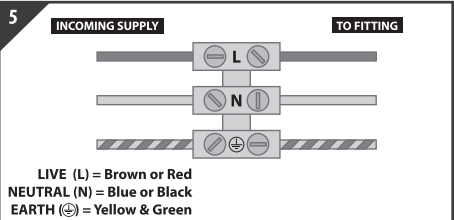
2
Drill hole and install hook



3
Hang the fixture

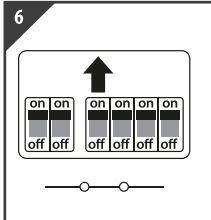


4
Connect the cables



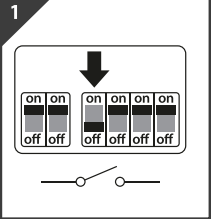
5
Connect cables using an IP65 junction box or IP65 connector – illustration above as reference

LIVE (L) = Brown or Red
NEUTRAL (N) = Blue or Black
EARTH (⊕) = Yellow & Green

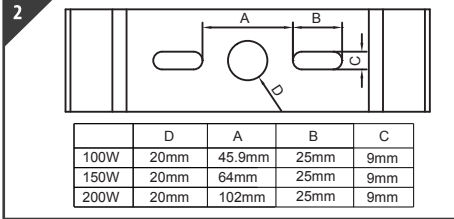


6
Return power. Switch ON at mains supply

Installation Method 2 - Surface Mounted

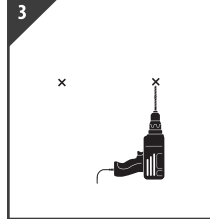


1
Switch OFF at mains supply before installing

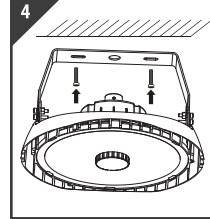


	D	A	B	C
100W	20mm	45.9mm	25mm	9mm
150W	20mm	64mm	25mm	9mm
200W	20mm	102mm	25mm	9mm

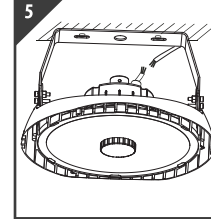
2
Measure holes for mounting bracket (S15456)



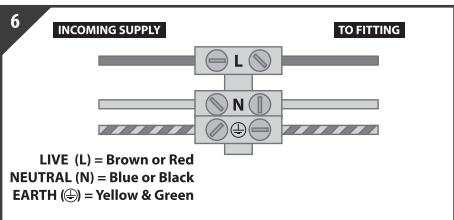
3
Drill holes



4
Fix bracket to ceiling

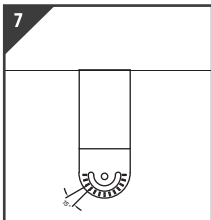


5
Connect the cables

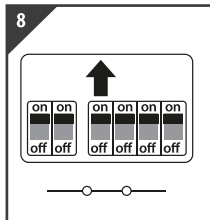


6
Connect cables using an IP65 junction box or IP65 connector – illustration above as reference

LIVE (L) = Brown or Red
NEUTRAL (N) = Blue or Black
EARTH (⊕) = Yellow & Green



7
Adjust bracket as required



8
Return power. Switch ON at mains supply

NOTE

DO NOT MODIFY – this will invalidate the warranty and could be dangerous. Waste electrical products should not be disposed of with household waste. Please recycle where facilities exist. Check with your Local Authority or retailer for recycling advice.
This fitting comes with a 5 year guarantee as standard.



FRONT VIEW



TOP VIEW



HOOK
IN THE BOX



DUMMY
IN THE BOX



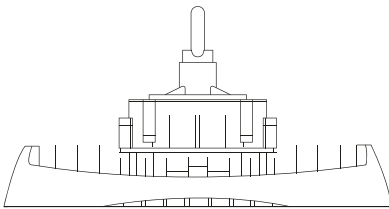
SENSOR & REMOTE



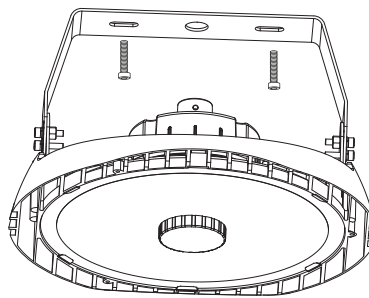
EMERGENCY BATTERY
IN THE BOX



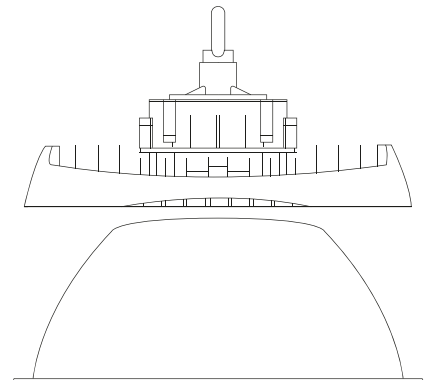
STANDARD HANGING



U BRACKET



REFLECTOR HANGING



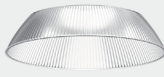
Aluminum Reflector 60°



Aluminum Reflector 90°



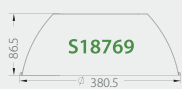
PC Reflector 70°



100W

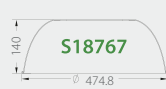


150W

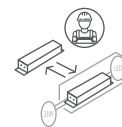


200W

N/A



Non-replaceable light source.



Replaceable control gear by a professional.



RoHS Compliant

