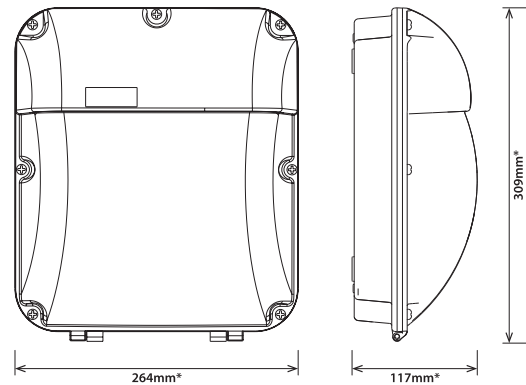


Product Information



Technical Specifications

| Model | Voltage | Power | Power Factor | Lumen (±5%) | Beam angle | CCT | Lifespan | CRI | Dimmable | Dimension |
|--------|-------------|-------|--------------|-------------|------------|-------------------|----------|-----|----------|---------------|
| S18530 | AC 220-240V | 30W | >0.9 | up to 2700 | 120° | 3000K/4000K/6000K | 50000h | >80 | No | 264*309*117mm |

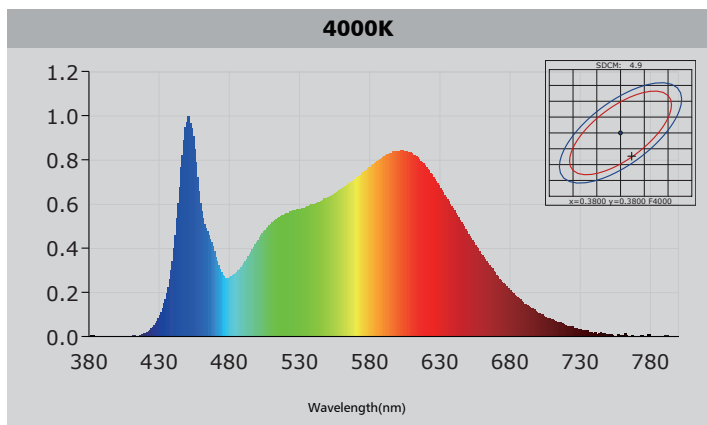
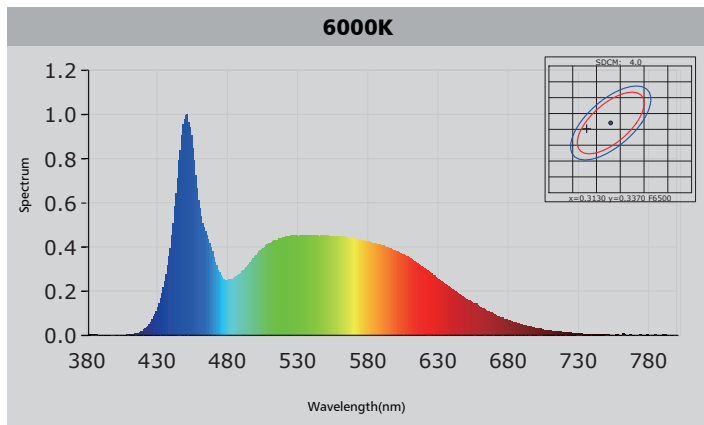
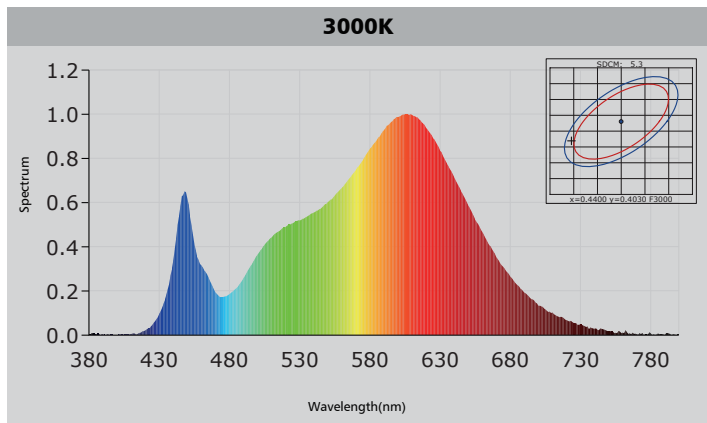
Driver data Sheet

| Driver data | DIM |
|--------------------------|------------|
| Input rated Voltage | AC220-240V |
| Frequency | 50/60Hz |
| Input Voltage | AC180-264V |
| Efficiency | 88% |
| Total load Wattage | 40W |
| Power Factor | >0.95 |
| Rated input current | <0.25A |
| Full load output Voltage | 28-40V |
| Rated output current | 700mA |
| Output current range | 750±5% |
| Power tolerance | ±5% |
| Current output tolerance | ±5% |
| Withstand voltage | 2000V |
| Short circuit protection | PASS |
| Overload protection | PASS |
| No-load protection | PASS |

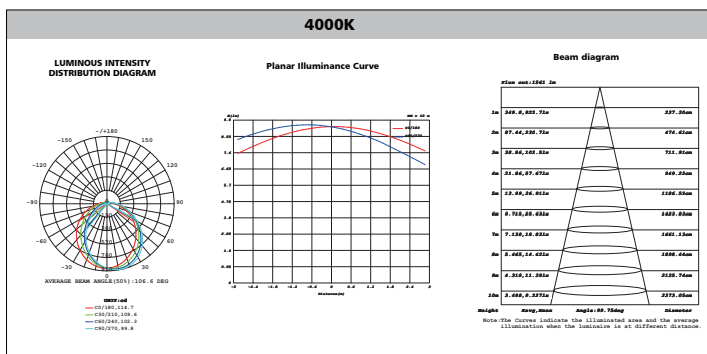
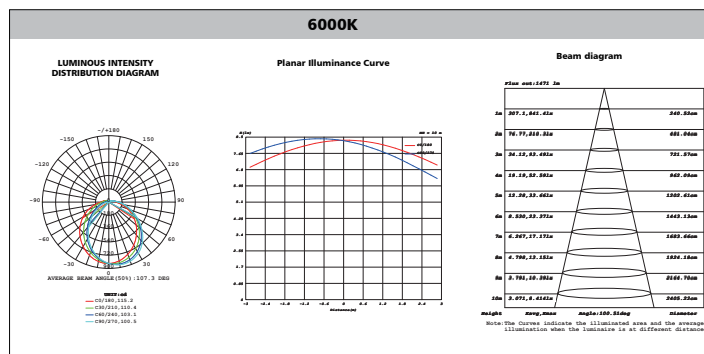
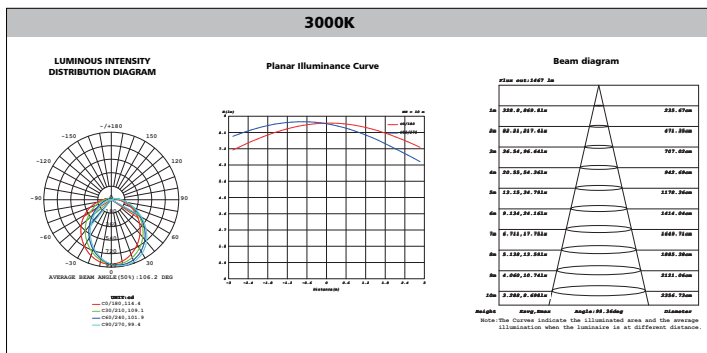
Fixture Compatibility

| Rated Wattage | Electrical Classification | Ingress Protection | Operating Temp | Operating Humidity | Storage Temp |
|---------------|---------------------------|--------------------|----------------|--------------------|--------------|
| 30W | I | IP65 | -20°C-40°C | 10-90% | -40°C-80°C |

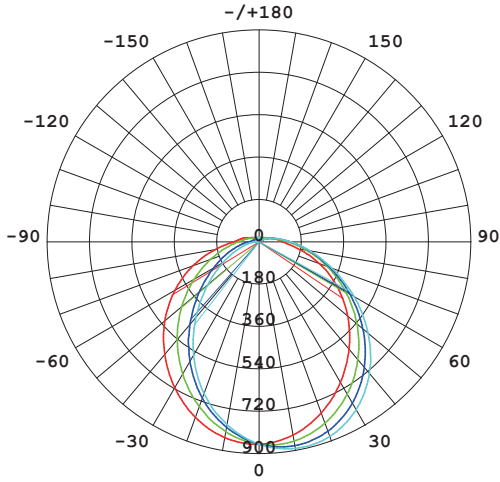
Spectral Distribution



Photometric Diagram

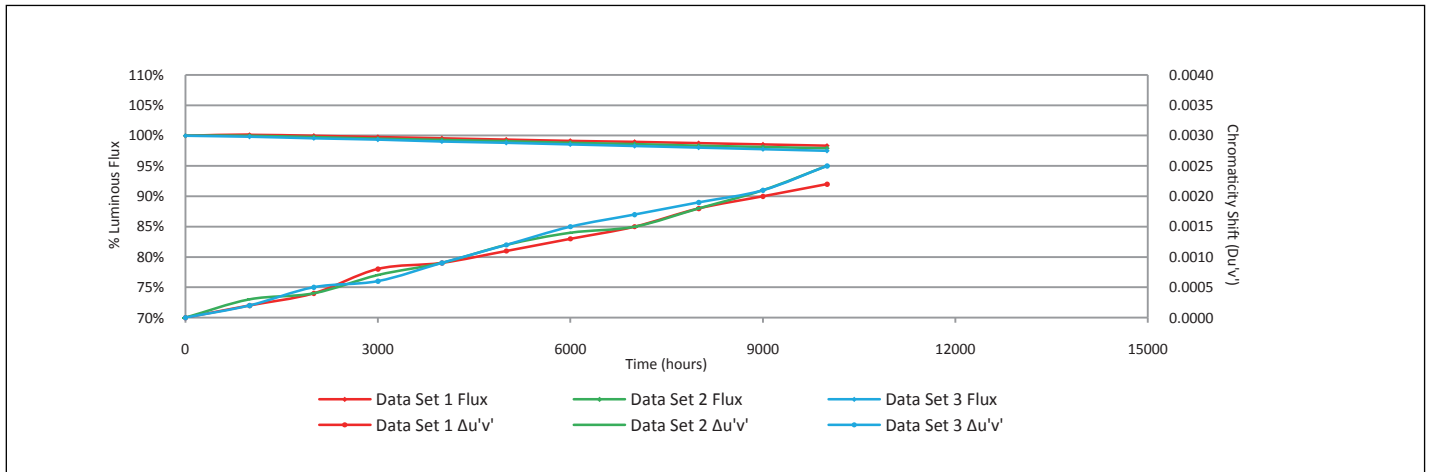


Polar Diagram Comparison

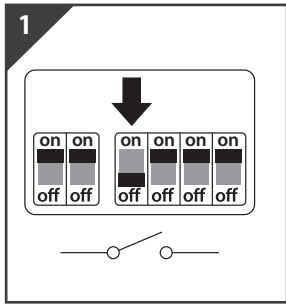


AVERAGE BEAM ANGLE (50%) : 106.2 DEG

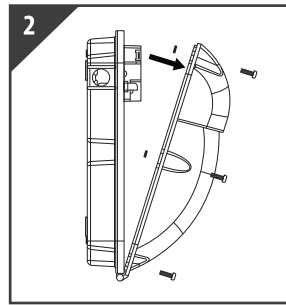
Average Lumen Maintenance and Chromaticity Shift VS. Time



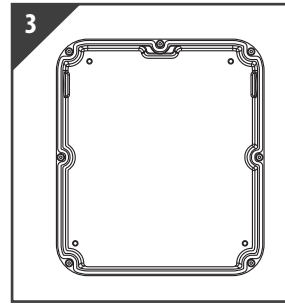
Installation



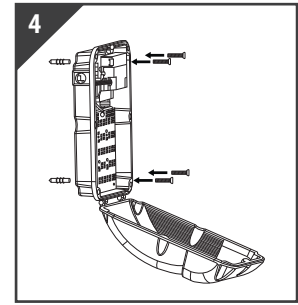
Switch OFF at mains supply before installing



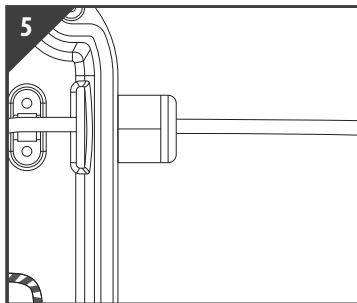
Remove the screws around the sides so that the cover can open on its hinge



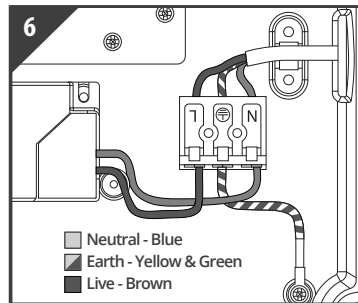
Mark the mounting surface and drill appropriate size holes for the fixings used



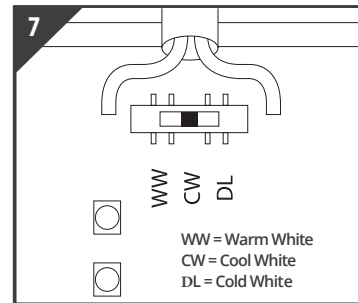
Fix the luminaire to the mounting surface using the fixings supplied



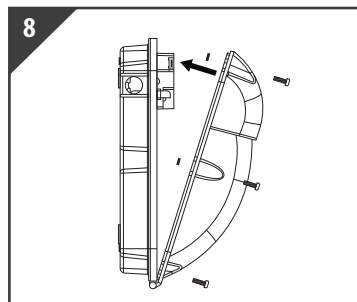
Feed supply cable through gland, ensuring gland is sealed and fixed to maintain IP rating



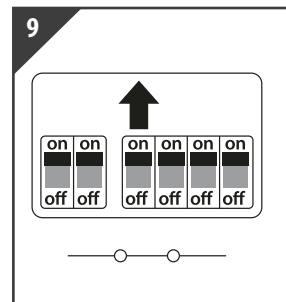
Insert correct supply (as above) into terminal block



Set required CCT using switch



Replace diffuser cover ensuring that the rubber washer is placed over the screw thread



Return power. Switch ON at mains supply

Packaging Information

| | SIZE(CM) | N.W/pc (KGS) | G.W.(KGS) | Q'TY(PCS) |
|--------|------------|--------------|-----------|-----------|
| Carton | 67*41.5*33 | 1,95 | 12.7 | 6 |

| | CTNS | Q'TY(PCS) | VOLUME(CBM) |
|------------------------|------|-----------|-------------|
| 20" standard container | 296 | 1776 | 27.2 |
| 40" standard container | 621 | 3276 | 57 |

