

IP20 - 5FT Single CCT Adjustable Screwless Hinged Batten Hinged 30W LED Batten

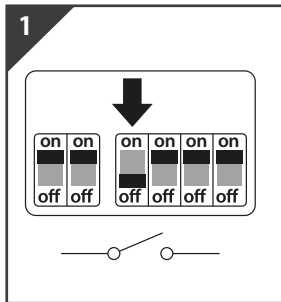


INTERNAL LOCATION

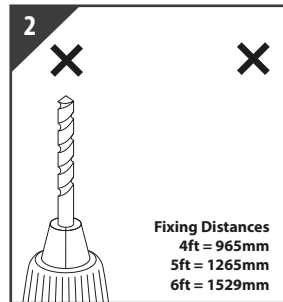
This product is suitable for Zone 3 only. (Not Zone 0, 1, or 2).

Zone 1: the area around the bathtub or shower basin up to a height of 2.25m above the floor and at a radius of 1.2m from the water outlet.

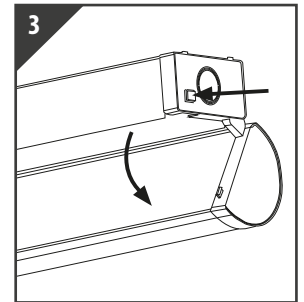
Zone 2: is limited by the vertical planes external to zone 1 and parallel vertical plane(s) 0.60m external to zone 1.



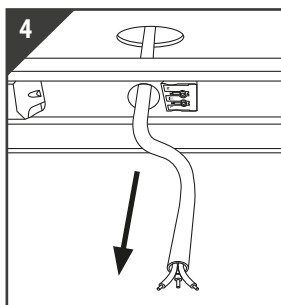
Switch OFF at mains supply before installing



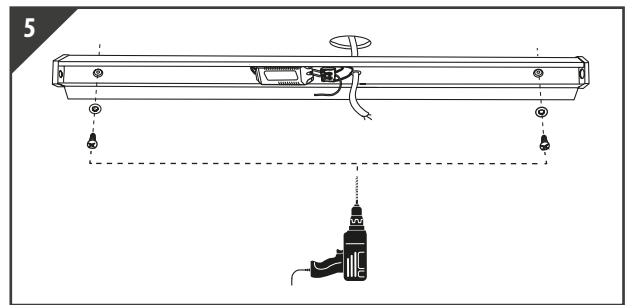
Drill holes to the required distance and install plugs



Push button on end-cap and pull open casing



Pull cable from ceiling through hole in batten



Drill screws into previously installed plugs

Note

Installation must be installed by a qualified electrician (BS7671). Read before installation and retain for future reference.

Ideal for Indoor use.

Always check for concealed pipes and cables before installation.

Wood or brick mounting surface.

240V-50Hz Incoming supply

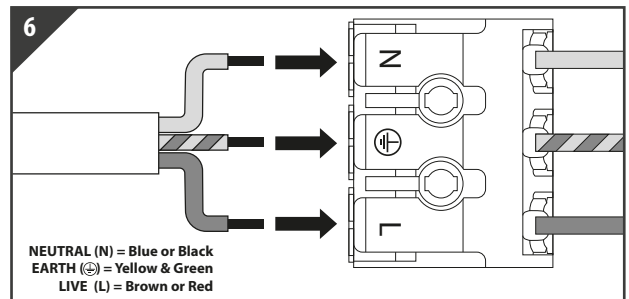
NOTE

DO NOT MODIFY – this will invalidate the warranty and could be dangerous.

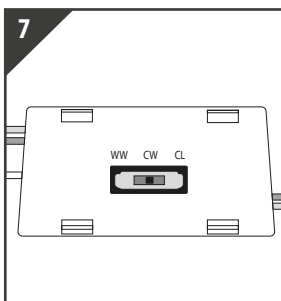
Waste electrical products should not be disposed of with household waste.

Please recycle where facilities exist.

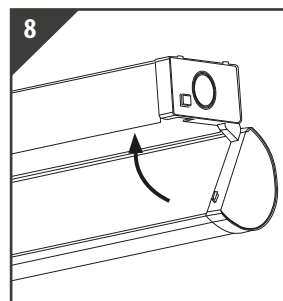
Check with your Local Authority or retailer for recycling advice.



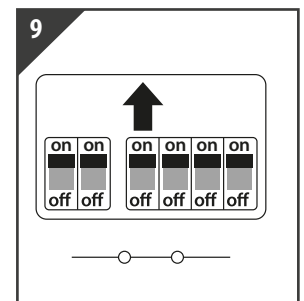
Push down the terminal, insert correct supply (as above) into terminal block and release the push fit terminal to secure.



Use the CCT selection switch on the gear tray to select the desired colour temperature



Close casing ensuring it clicks into place



Return power. Switch ON at mains supply

UK
CA



This fitting comes with a 5 year guarantee as standard. A 1 year on-site warranty is available at no additional cost, however, this must be registered for using the web address shown below. This warranty is subject to our terms & conditions which can be found on the warranty page of our website.

www.supreme.co.uk/warranty

