

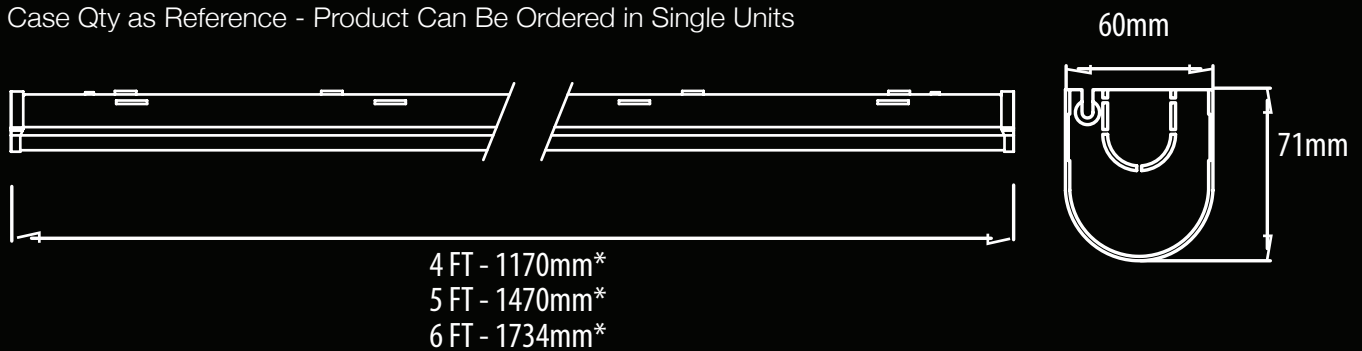
LUMiLiFe

IP20 LED

SCREWLESS HINGED BATTEN

CODE	DESCRIPTION	BOX QTY	LUMENS	WATTAGE	KELVIN
S18340	LUMISGL4FTIP2020W	1	2400	20	4000
S18341	LUMISGL5FTIP2030W	1	3600	30	4000
S18343	LUMISGL5FTIP2030WEME	1	3600	30	4000
S18342	LUMITWIN5FTIP2060W	1	7200	60	4000
S18344	LUMISGL6FTIP2040W	1	4800	40	4000
S18345	LUMITWIN6FTIP2065W	1	7800	65	4000

Case Qty as Reference - Product Can Be Ordered in Single Units



* Approximate Measurement

FREE lighting Design
Service Available

Please contact your local Lumilife representative for more details or email your contact details to trade@lumilife.co.uk and we will be in touch.

LUMiLiFe

Visit: www.lumilife.co.uk
Telephone: 0161 655 0660
or Email: trade@lumilife.co.uk