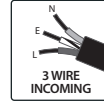


Energizer®

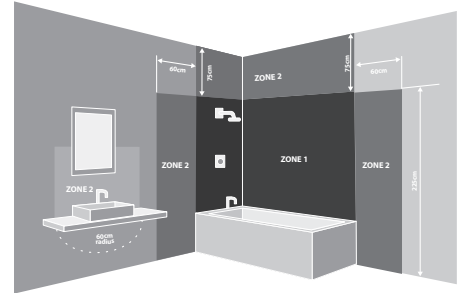


IP44 MICROWAVE SENSOR FITTING

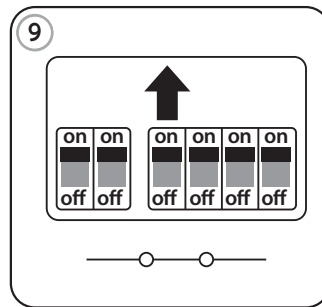
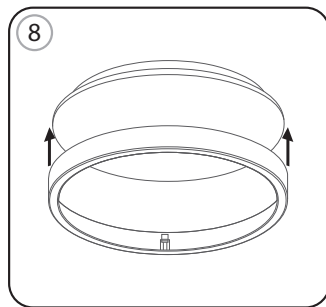
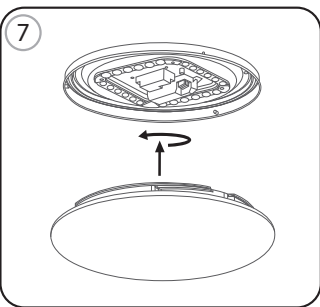
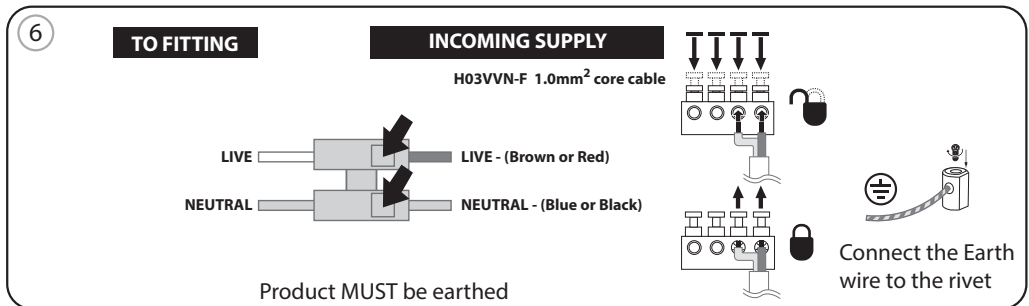
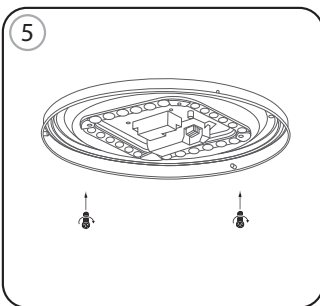
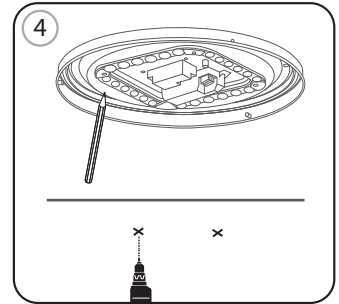
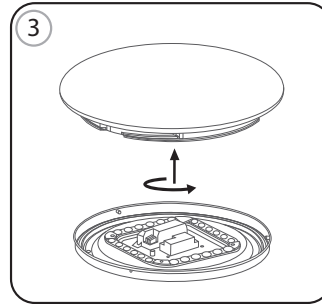
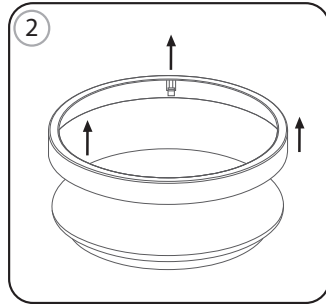
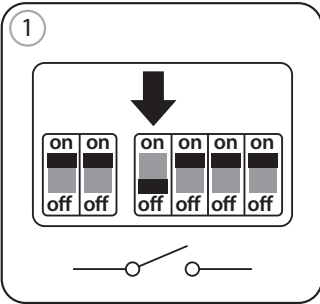
GB IMPORTANT FR IMPORTANT! DE WICHTIG! IT IMPORTANTE!
ES ¡IMPORTANTE! PT INFORMAÇÃO IMPORTANTE NL BELANGRIJK!
SE VIKTIGT! NO İVİKTİG! DK VİGTİG! FI TÄRKEÄ!



GB Installation must be installed by a qualified electrician (BS7671).
FR L'installation doit être effectuée par un électricien qualifié (BS7671).
DE Die Installation sollte von einem qualifizierten Elektriker durchgeführt werden (BS7671).
IT L'installazione deve essere effettuata da un elettricista qualificato (BS7671).
ES La instalación debe ser realizada por un electricista autorizado (BS7671).
PT A instalação deve ser feita por um electricista profissional.
NL Laat de installatie uitvoeren door een electricien.
SE Installationen skall utföras av en behörig elektriker.
NO Installasjonen skal utføres av en behörig elektriker.
DK Installationen skal foretages af en elektriker.
FI Asennuksen saa tehdä vain valtuutettu sähköasentaja.



ZONE 1	ZONE 2	ZONE 3
✓	✓	✓

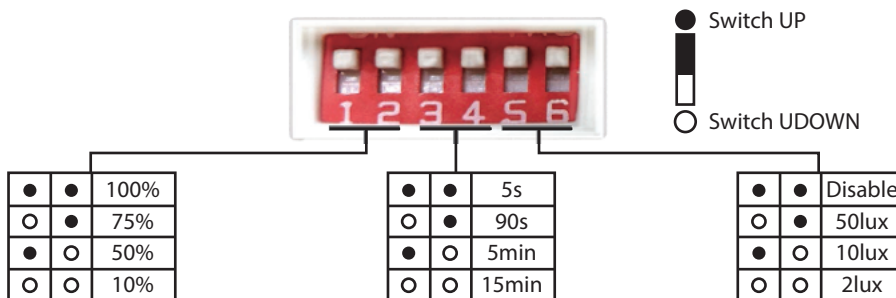


©2021 Energizer. Energizer and certain graphic designs are trademarks of Energizer Brands, LLC and related subsidiaries and are used under license by Supreme Imports. All other brand names are trademarks of their respective owners. Neither Supreme Imports nor Energizer Brands, LLC is affiliated with the respective owners of their trademarks.



IP44 MICROWAVE SENSOR FITTING

Sensor Settings



Detection Area

Detection area means detection coverage. It can be adjusted by combining DIP switches for specific application.

Hold-time

Hold-time means the time period the light will be ON after the last detection.

Daylight threshold

Daylight sensor prior to motion sensor. Set threshold for specific needs. If Disabled, only motion sensor works.