

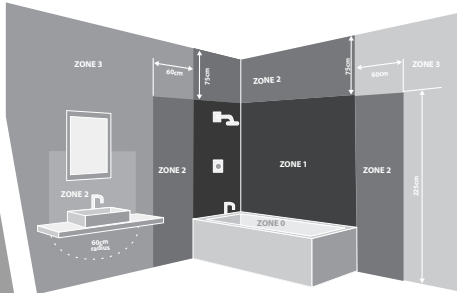


# POWERMASTER

S17318 - 16v  
(17.5W Emergency)

## LED CCT Emergency & Microwave Gear Tray

Installation must be installed by a qualified electrician (BS7671). Read before installation and retain for future reference. Always check for concealed pipes and cables before installation.



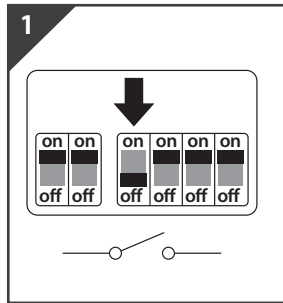
### LOCATION

This product is suitable for zones 1 and 2 (not zone 0).

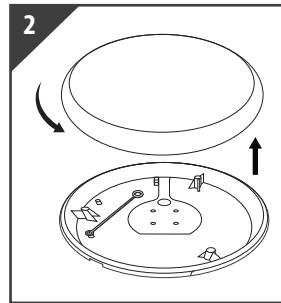
**Zone 0:** the area inside the bathtub or shower.

**Zone 1:** the area around the bathtub or shower basin up to a height of 2.25m above the floor and at a radius of 1.2m from the water outlet.

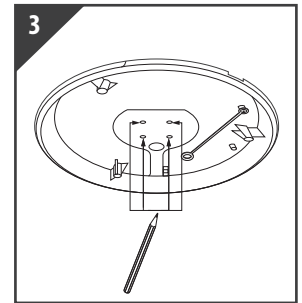
**Zone 2:** is limited by the vertical planes external to zone 1 and parallel vertical plane(s) 0.60m external to zone 1.



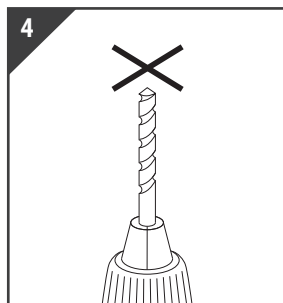
1 Switch OFF at mains supply before installing



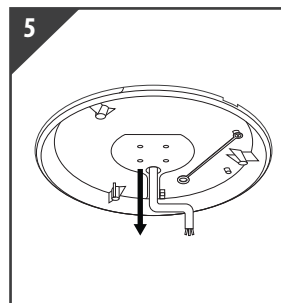
2 Hold the base securely and twist to unlock and remove the diffuser



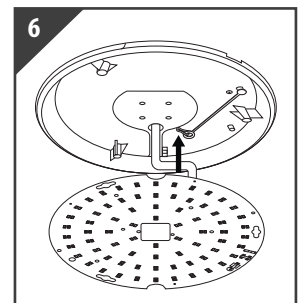
3 Ensure product is located in the correct location and mark the fixing surface



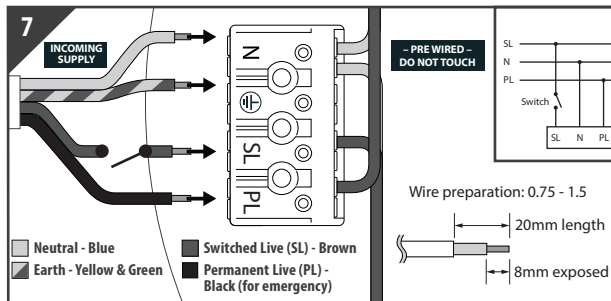
4 Use correct drill bit to drill screw holes



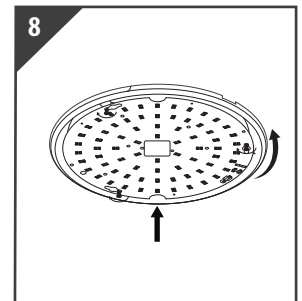
5 Pull power supply through hole in the base plate



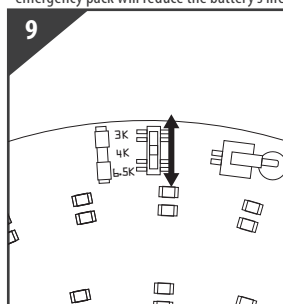
6 Attach safety belt to gear tray



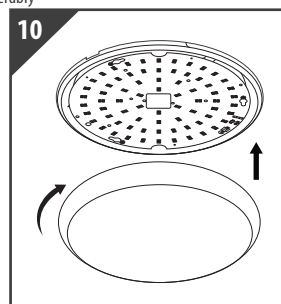
7 Press the individual terminal and insert the correct incoming supply before releasing the terminal to secure. The product MUST be earthed  
Note: Please ensure there are no switches, PIRS etc in the permanent live feed, as switching of the emergency pack will reduce the battery's life considerably



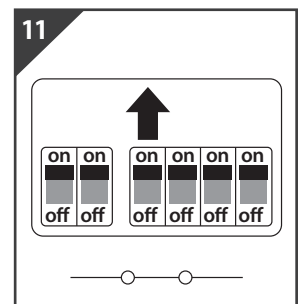
8 Align gear tray with screws and tighten



9 Use the CCT selection switch on the gear tray to select the desired colour temperature



10 Push and twist the diffuser back into place



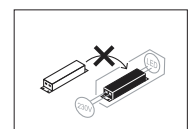
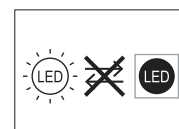
11 Return power. Switch ON at mains supply



**DO NOT MODIFY** – this will invalidate the warranty and could be dangerous.

Waste electrical products should not be disposed of with household waste. Please recycle where facilities exist. Check with your Local Authority or retailer for recycling advice.

**INSTRUCTIONS CONTINUED OVERLEAF, PLEASE TURN OVER**



This product contains a light source of energy efficiency class





# POWER MASTER

S17318 - 16v  
(17.5W Emergency)

## LED CCT Emergency & Microwave Gear Tray

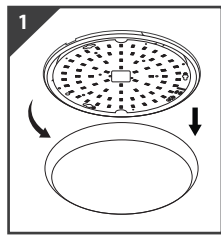
### Emergency Function

Before using the emergency pack please change the emergency pack battery switch from '1' to 'ON'. Once the light fitting is connected to the emergency pack the LED status light will be green and the battery will charge automatically.

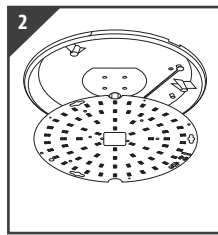
**IMPORTANT:** The emergency pack battery will only retain the stored charge for a period of approximately 9 to 12 months – during the transit and storage period the battery may have fully discharged. The battery status is signified by the LED light on the battery pack once power is restored - if the LED status light is green the emergency pack is charged. If the green LED is NOT illuminated the battery has discharged and you must follow the steps below to re-charge.

**IMPORTANT WARNING:** This product must be fitted by a qualified electrician. If the emergency battery power has discharged - initiate the battery by pressing the TEST button 2-3 times to reactivate the protection circuit into a charging state.

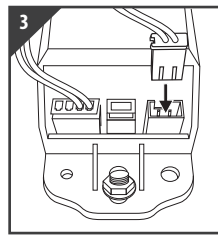
The emergency pack has a self test function - to optimise the battery packs lifetime it is recommended for the battery to be charged and discharged every 3 months by a qualified electrician.



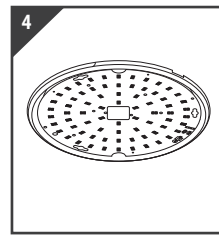
1 Twist and remove diffuser



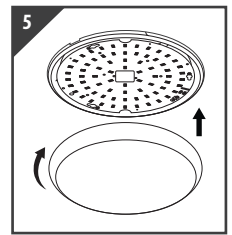
2 Unscrew and release gear tray from the base plate



3 Ensure battery is plugged into the inverter socket, (disconnected during transit).



4 Secure gear tray back on to the base plate



5 Push and twist the diffuser back into place

### EMERGENCY MAINTENANCE & TESTING

Make the electrical connections to the push-fit terminals

**LIVE** (Red or Brown) to the terminal marked **PL** (permanent Live)

**NEUTRAL** (Black or Blue) to the terminal marked **N**

**LIVE** (Red or Brown) to the terminal marked **SL** (switched Live)

**EARTH** - (Green/Yellow) to terminal marked **E** This unit must be earthed.

• **LED Indication:** Green light indicates the battery is charging. Ensure the Green LED comes on after connecting power, this will turn off when the luminaire is discharging. Ensure batteries are charged for a minimum 24 hours before any testing is carried out. If at any time under normal operation the green LED goes out, then the fitting should be tested.

• Connect battery flying lead to inverter battery charging pins (**Please Note:** batteries require 24hrs charge time to achieve full operational capacity).

**NOTE:** We would recommend that this product is periodically cleaned as part of your maintenance schedule. Only use a damp cloth, do not use chemicals or other cleaning products.

**IMPORTANT:** It is the responsibility of the installer and the end user of this fitting to ensure an accurate record of the installation date and maintenance is kept. The luminaire batteries should be marked with the commissioning date at the time of hand-over.

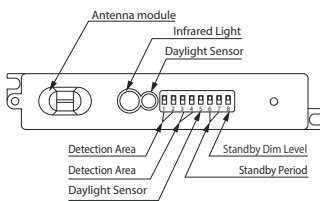
**Periodic Testing (Emergency Luminaires)** (Consult BS 5266 for full details)

The luminaire must be checked periodically for correct operation, and to evaluate the remaining capacity in the battery at regular intervals during its life. Functional testing is facilitated by wiring a key operated control in series with permanent live supply to all the emergency luminaires in one area, operating this control fails the supply and places the luminaires wired to it into the emergency mode, so that they can be inspected.

- A visual check of the LED charge indicator should be carried out on a daily basis.
- The luminaire should be tested in emergency mode once a month by simulating a mains supply failure (ensure mains is restored after testing).
- Annually the luminaire should be tested in emergency mode to ensure it achieves its entire rated duration of emergency operation (3hr).
- Record the periodic testing in the table below, and keep all records in a safe place.

**IF THE LUMINAIRE FAILS TO ACHIEVE ITS RATED DURATION, PLEASE SEEK FURTHER ADVICE.**

### Structure



\*Disable means the daylight sensor does not work. The sensor will turn on light once motion is detected regardless of ambient light level.

### DIP Switch Settings

#### 1 & 2 - Detection Area (Sensitivity)

Approximate Detection Radius	1	2
I 100% (4m)	On	On
II 75% (3.5m)	-	On
III 50% (3m)	On	-
IV 25% (1.5m)	-	-

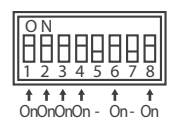
#### 3 & 4 - Hold Time

Hold Time	3	4
I 5 Secs	On	On
II 30 Secs	-	On
III 3 Mins	On	-
IV 10 Mins	-	-

#### 6 & 7 - Standby Period

Hold Time	6	7
0 Secs	On	On
30 Secs	-	On
10 Mins	On	-
+ ∞	-	-

#### Example



Detection Area: **100% (4m)**  
Hold Time: **5 Secs**  
Daylight Sensor: **Disabled**  
Standby Period: **30 Secs**  
Standby Dim Level: **10%**

#### 5 - Daylight Sensor

Hold Time	5
I 15 Lux	On
II Disable*	-

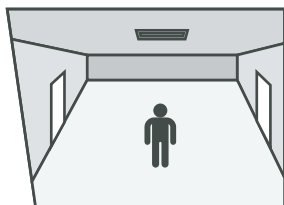
#### 8 - Standby Dim Level

Level	8
I 10%	On
II 25%	-

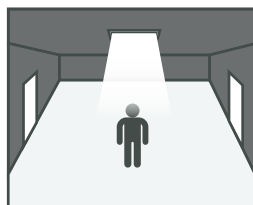
### Factory Setting

Detection Area: 100%, Hold Time: 5secs, Daylight Sensor: Disable, Standby: 30 Secs, Standby Dim Level: 10%

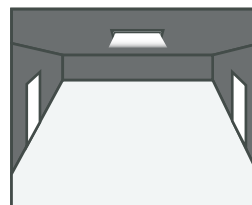
### Sensor Function



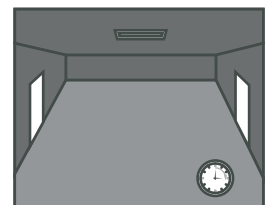
With sufficient ambient light, the light will not switch on even if motion is detected



With insufficient ambient light, the sensor switches on the light when motion is detected.



Once the hold time is elapsed, the sensor switches to the set dim level (Low Light Level) when motion is no longer detected.  
**NOTE:** If Standby Period is set to + ∞ the light will start and remain at a low light level when there is insufficient ambient light. Does not effect motion detection settings.



Once the standby period has elapsed, the sensor switches off the light when motion is no longer detected.

