

# ENERGIZER A23

**ZERO**MERCURY®

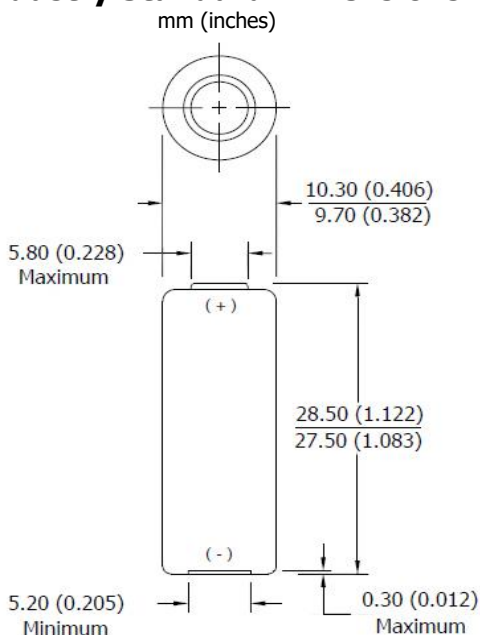
**Miniature Alkaline**



## Specifications

**Classification:** Miniature Alkaline  
**Chemical System:** Manganese Dioxide (MnO<sub>2</sub>)  
**Designation:** ANSI-1181A  
**Nominal Voltage:** 12 volts  
**Typical Capacity:** 50 mAh to 6.0 Volts  
 (rated at 20K ohms at 21°C)  
**Typical Weight:** 8.0 grams (0.3 oz.)  
**Typical Volume:** 1.1 cubic centimeters (0.07 cubic inch)  
**Jacket:** Metal  
**Terminal:** Flat Contact

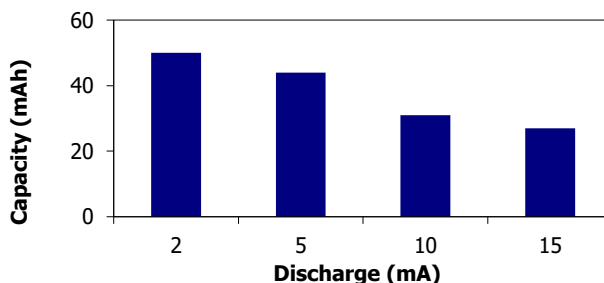
## Industry Standard Dimensions



**Designed for electronic applications which may require high rate pulses.**

## Milliamp-Hours Capacity

Continuous discharge to 6.0 volts at 21°C



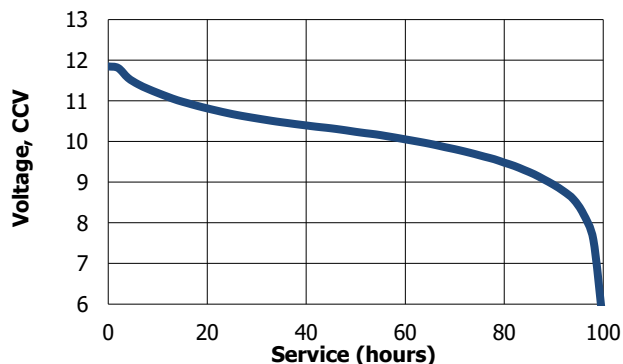
## Typical Discharge Durations

Continuous discharge at 21°C

Schedule (time)	Drain (mA)	Load (ohms)	Cutoff Voltage		
			8.8V (hours)	7.2V (hours)	6.0V (hours)
Continuous	0.5	20K	92	98	100

## Discharge Characteristics

**Schedule:** Continuous  
**Typical Load:** 20 KΩ (21°C)



### Important Notice

This data sheet contains typical information specific to products manufactured at the time of its publication. **Contents herein do not constitute a warranty and are for reference only.**